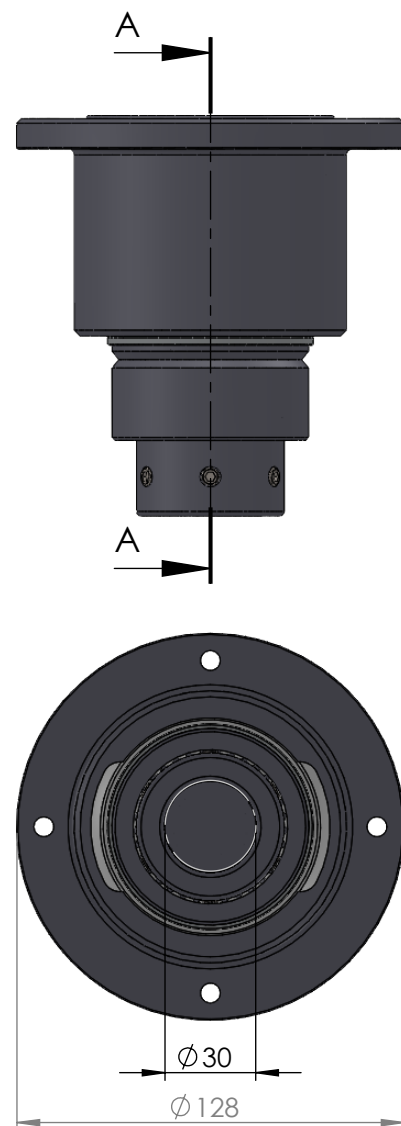


SECTION A-A



ITEM NO.	PART NUMBER	PART NAME	Def ault /QT Y.
1	M43-078	Cover with M78	1
2	O-ring	Ø70 x 2.5	1
3	M36-490	Outer house 4S030Z 4S035Z 4S040Z	1
4	M03-189	Delrin Lockring Ø58,5 x Ø42 x 1,75mm	1
5	M05-098	L-ring Ø30 x Ø55	2
6	M01-280	Roller Ø13 x 44mm	10
7	M41-501	Lockring Ø42 x Ø60 x 4.5mm	1
8	Platic hub	Plastic innerligner 20 x 1mm plate	1
9	M39-030	Hanger Ø30	1
10	DIN916-06x10	Socket set screw with cup point M6x10mm	6
11	M41-510	5mm delrin ball	33
12	M37-094	Inner house 4S030Z 4S035Z 4S040Z	1
13	M11-095	Ball 4S030Z 4S035Z 4S040Z	1
14	M09-085	Alu locking Ø60.8 x Ø68	1

DWG NR / NAME:

**4S030Z / S-A Roller bearing "multi" 30mm**

BATCH NR:

PROJECT:

Shaft Ø30mm, max working load 1300 kg

REKV.NR / ORDRE NR:

DATE:

29-01-2010

NAME:

JR

SCALE / PAPER:

1:2.5 / A4

MATERIAL:

WEIGHT:

g

LOCATION:

REV:

ORDRE DATO:

LEV.DATO:

MODIFY DATE:

: /

*Jefa Rudder*  
S Y S T E M S

JEFA MARINE A/S  
NIMBUSVEJ 2  
2670 GREVE, DENMARK

Tlf: +45 4615 5210 & Fax: +45 46155208  
Email: info@jefa.com www.jefa.com