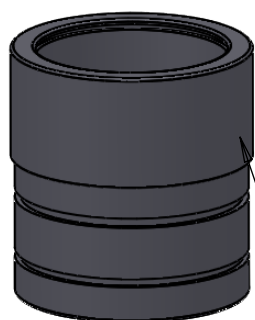
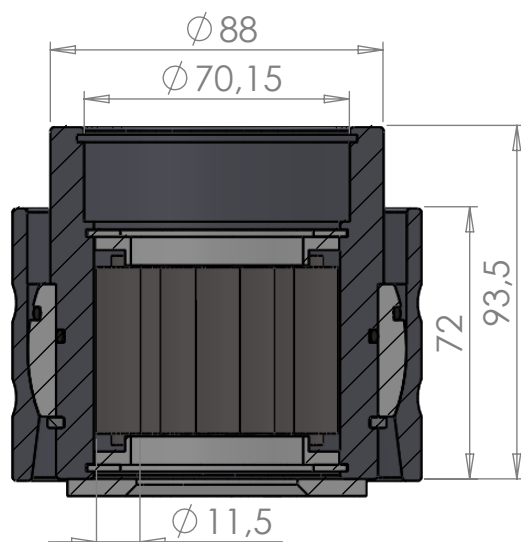
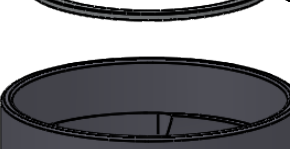
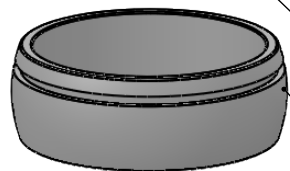
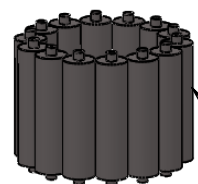
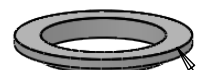


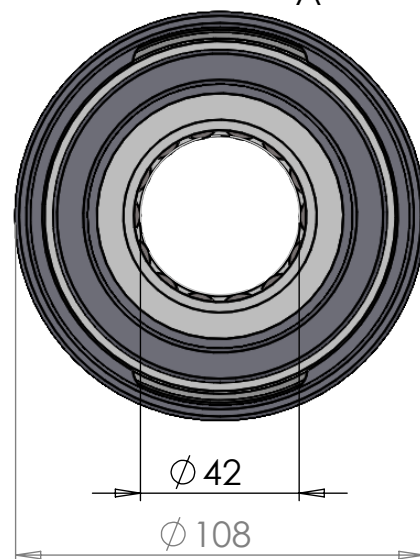
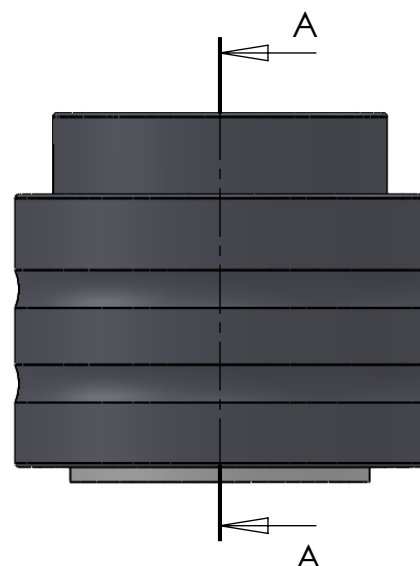
A



B



SECTION A-A
SCALE 1 : 2



ITEM NO.	PART NUMBER	PART NAME	QTY.
1	M35-101	Inner house 4S040-4S049	1
2	O-ring	Ø75mm x 2,5mm	1
3	M03-195	Delrin Lockring ø68,5mm x ø51mm x 1,75mm	2
4	M05-119	L-ring ø45 x ø65mm x 7,5mm	2
5	M01-256	Roller ø11.5mm x 44mm	14
6	M11-101	Ball 4S040-4S059	1
7	O-ring	Ø90mm x 2,5mm	1
8	M09-101	Alu lockring ø80.5 x ø89.5	1
9	M31-101	Outer house 4S040-4S059	1
10	M07-108	Washer, delrin ø42,5 x ø79 x 4,5mm	1

DWG NR / NAME:

4S042 / Self-aligning lower bearing

BATCH NR:

PROJECT:

Shaft Ø42mm, max working load 2100kg

REKV.NR / ORDRE NR:

DATE:

27-08-2009

NAME:

JR

SCALE / PAPER:

1:2.5 / A4

MATERIAL:

WEIGHT:

g

LOCATION:

REV:

ORDRE DATO:

LEV.DATO:

MODIFY DATE:

: /

Jefa Rudder
SYSTEMS

JEFA MARINE A/S
NIMBUSVEJ 2
2670 GREVE, DENMARK

Tlf: +45 4615 5210 & Fax: +45 46155208
Email: info@jefa.com www.jefa.com