

A

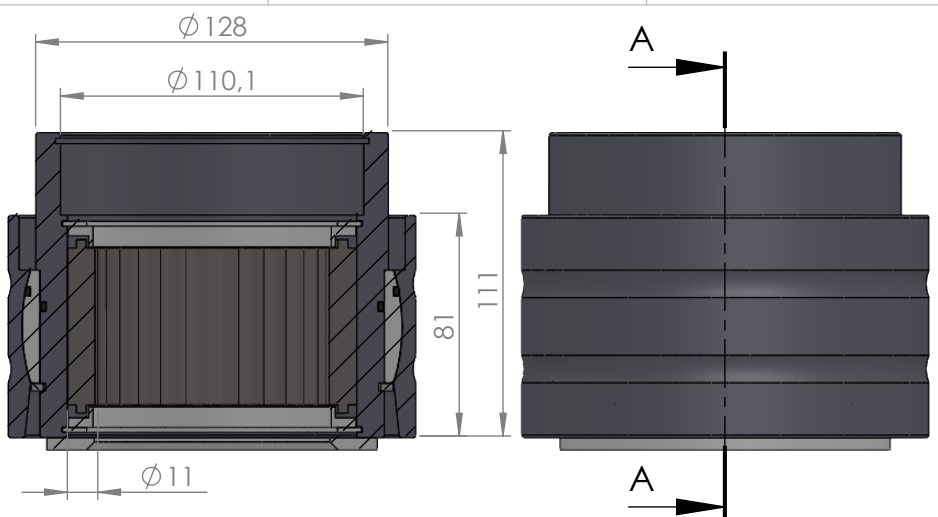
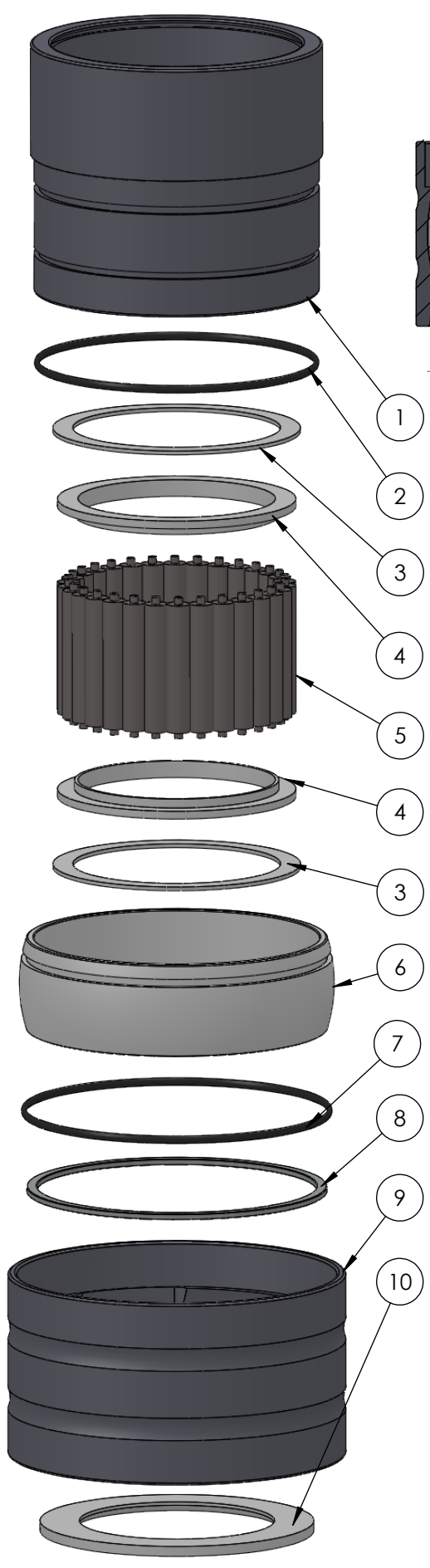
B

C

D

E

F



SECTION A-A  
SCALE 1 : 2.75

ITEM NO.	PART NUMBER	PART NAME	Expl /QTY
1	M35-109	Inner house 4S080-4S089	1
2	O-ring	$\varnothing 115 \times 2.5\text{mm}$	1
3	M03-220	Delrin Lockring $\varnothing 108,5 \times \varnothing 91 \times 1,75\text{mm}$	2
4	M05-197	L-ring, delrin $\varnothing 86 \times \varnothing 105 \times 7,5\text{mm}$	2
5	M01-332	Roller $\varnothing 10.0 \times 57\text{mm}$	30
6	M11-105	Ball 4S070-4S099	1
7	O-ring	$\varnothing 120 \times 2.5\text{mm}$	1
8	M09-110	Alu lockring $\varnothing 122.5 \times \varnothing 131.5$	1
9	M31-111	Outer house 4S080-4S099	1
10	M07-166	Washer, delrin $\varnothing 85,5 \times \varnothing 120 \times 4,5\text{mm}$	1

DWG NR / NAME:

### 4S085 / Self-aligning lower bearing

BATCH NR:

PROJECT:  
Shaft  $\varnothing 85\text{mm}$ , max working load 5600kg

REKV.NR / ORDRE NR:

DATE:  
27-08-2009

NAME:  
JR

SCALE / PAPER:  
1:3 / A4

MATERIAL:  
WEIGHT: g

LOCATION:  
REV:

ORDRE DATO:  
LEV.DATO:



JEFA MARINE A/S  
NIMBUSVEJ 2  
2670 GREVE. DENMARK

Tlf: +45 4615 5210 & Fax: +45 46155208  
Email: info@jefa.com www.jefa.com

: /