

A

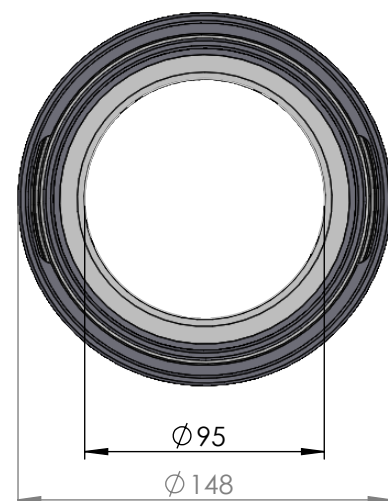
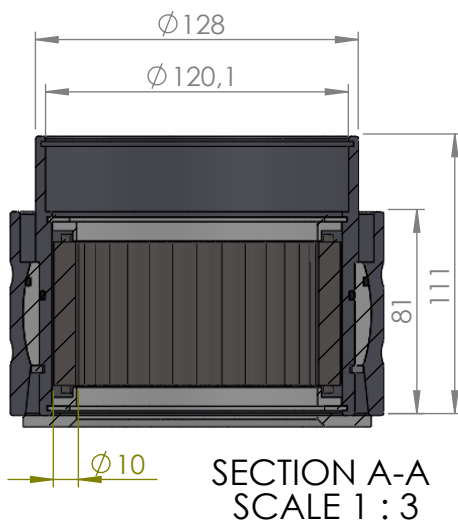
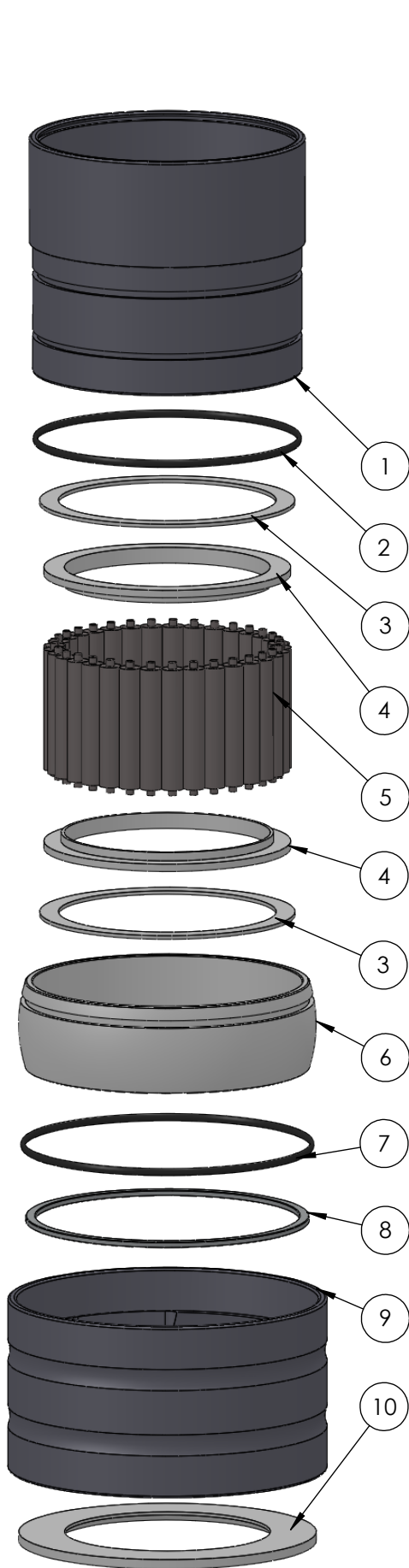
B

C

D

E

F



ITEM NO.	PART NUMBER	PART NAME	Expl /QTY
1	M35-111	Inner house 4S090-4S099	1
2	O-ring	$\varnothing 115 \times 2.5\text{mm}$	1
3	M03-228	Delrin Lockring $\varnothing 118,5 \times 101 \times 1,75\text{mm}$	2
4	M05-221	L-ring $\varnothing 95 \varnothing 98.5 \varnothing 115$	2
5	M01-332	Roller $\varnothing 10.0 \times 57\text{mm}$	33
6	M11-105	Ball 4S080-4S099	1
7	O-ring	$\varnothing 120 \times 2.5\text{mm}$	1
8	M09-110	Alu lockring $\varnothing 122.5 \times \varnothing 131.5$	1
9	M31-111	Outer house 4S080-4S099	1
10	M07-179	Washer $\varnothing 95.5 \varnothing 138$	1

DWG NR / NAME:

4S095 / Self-aligning lower bearing

BATCH NR:

PROJECT:

Shaft $\varnothing 95\text{mm}$, max working load 6200kg

REKV.NR / ORDRE NR:

DATE:

27-08-2009

NAME:

JR

SCALE / PAPER:

1:3.5 / A4

MATERIAL:

WEIGHT:

g

LOCATION:

REV:

ORDRE DATO:

LEV.DATO:

Jefa Rudder
SYSTEMS

JEFA MARINE A/S
NIMBUSVEJ 2
2670 GREVE, DENMARK

Tlf: +45 4615 5210 & Fax: +45 4615 5208
Email: info@jefa.com www.jefa.com

: /