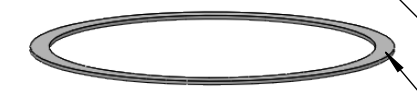
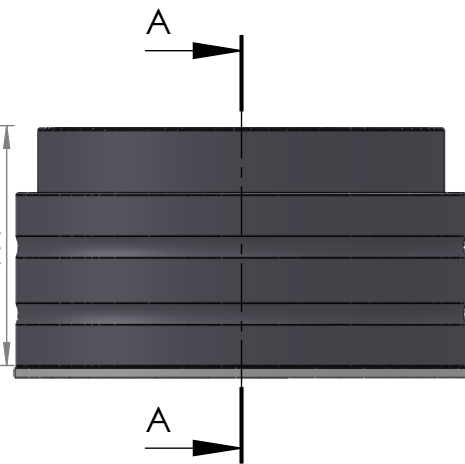


SECTION A-A
SCALE 1 : 3.5



ITEM NO.	PART NUMBER	PART NAME	QTY
1	M35-121	Inner house 4S140-4S149	1
2	O-ring	$\varnothing 170 \times 2,5$	1
3	M03-305	Delrin Lockring $\varnothing 168,5 \times \varnothing 151 \times 1,75\text{mm}$	2
4	M05-344	L-ring $\varnothing 149 \varnothing 151.5 \varnothing 165$	2
5	M01-308	Roller $\varnothing 8.5 \times 57\text{mm}$	57
6	M11-111	Ball 4S140-4S159	1
7	O-ring	$\varnothing 180 \times 2,5$	1
8	M09-125	Alu lockring $\varnothing 180.5 \times \varnothing 189.5$	1
9	M31-126	Outer house 4S140-4S159	1
10	M07-232-B	Washer, delrin $\varnothing 150,5 \times \varnothing 210 \times 4,5\text{mm}$	1

DWG NR / NAME:

4S148 / Self-aligning lower bearing

BATCH NR:

PROJECT:

Shaft $\varnothing 148\text{mm}$, max working load 8800kg

REKV.NR / ORDRE NR:

DATE:

27-08-2009

NAME:

JR

SCALE / PAPER:

1:4 / A4

MATERIAL:

WEIGHT:

g

LOCATION:

REV:

ORDRE DATO:

LEV.DATO:

MODIFY DATE:

: /

Jefa Rudder
SYSTEMS

JEFA MARINE A/S
NIMBUSVEJ 2
2670 GREVE, DENMARK

Tlf: +45 4615 5210 & Fax: +45 4615 5208
Email: info@jefa.com www.jefa.com