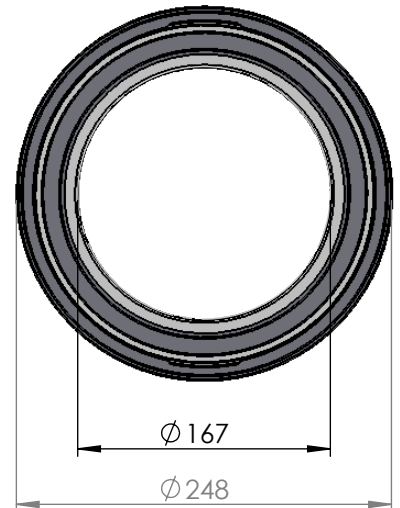
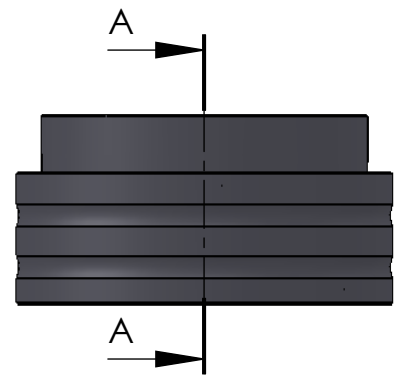


SECTION A-A



ITEM NO.	PART NUMBER	PART NAME	QTY
1	O-ring	$\phi 208 \times 2.5$	1
2	O-ring	$\phi 226 \times 2.5$	1
3	M01-316	Roller $\phi 9.0 \times 57\text{mm}$	61
4	M03-725	Delrin Lockring $\phi 188,5 \times \phi 171 \times 2,75\text{mm}$	2
5	M05-371	L-ring $\phi 167 \phi 169 \phi 185$	2
6	M09-130	Alu lockring $\phi 206 \times \phi 215$	1
7	M11-113	Ball 4S160-4SF179	1
8	M31-131	Outer house 4S160-4S179	1
9	M35-125	Inner house 4S160-4S169	1

DWG NR / NAME:

4S167 / Self-aligning lower bearing

BATCH NR:

PROJECT:

Shaft $\phi 167\text{mm}$, max working load 9500 kg

REKV.NR / ORDRE NR:

DATE:
28-09-2009NAME:
JRSCALE / PAPER:
1:5 / A4MATERIAL:
WEIGHT: g

LOCATION:

ORDRE DATO:

MODIFY DATE:

: /

REV:

LEV.DATO:

Jefa Rudder
SYSTEMS

JEFA MARINE A/S
NIMBUSVEJ 2
2670 GREVE, DENMARK

Tlf: +45 4615 5210 & Fax: +45 46155208
Email: info@jefa.com www.jefa.com