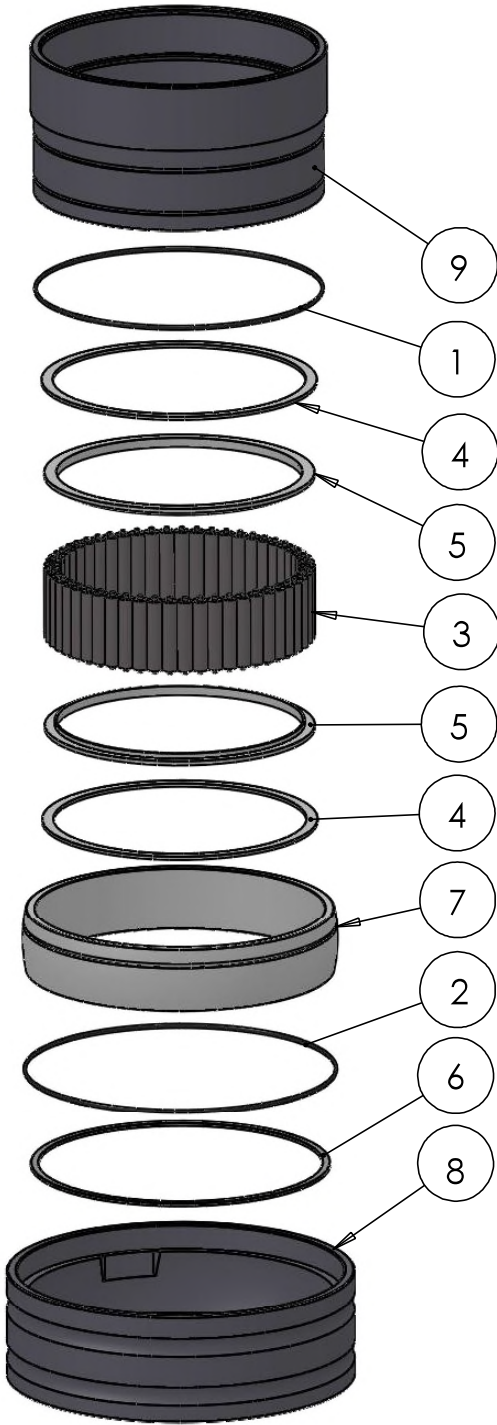
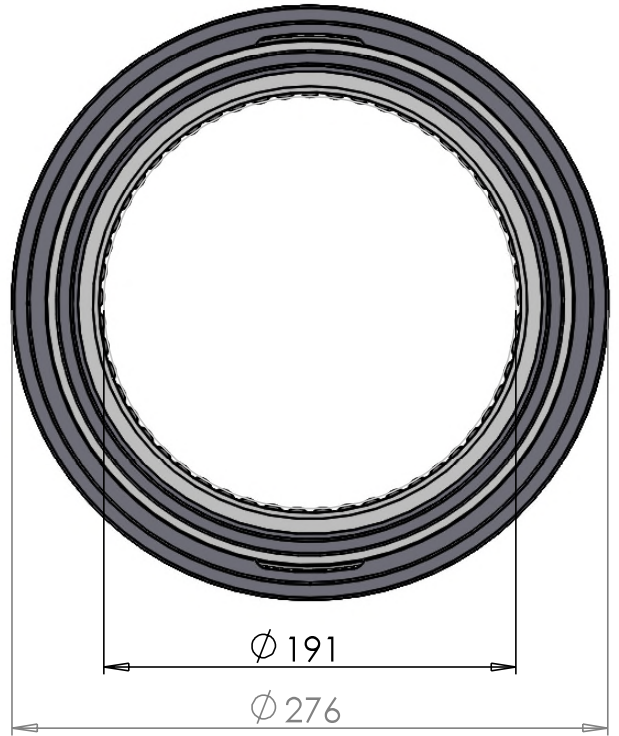


SECTION A-A  
SCALE 1 : 3.5



ITEM NO.	PART NUMBER	PART NAME	QTY.
1	O-ring	ø200 x 2.5	1
2	O-ring	ø220 x 2.5	1
3	M01-364	Roller ø12.0 x 57mm	53
4	M03-755	Delrin Lockring ø218.5 x ø201 x 2.75mm	2
5	M05-382-B	L-ring ø195 x ø215 x 7.5mm	2
6	M09-150	Alu lockring ø225.5 x ø237.5	1
7	M11-115	Ball 4S180-4S199	1
8	M31-136	Outer house 4S180-4S199	1
9	M35-131	Inner house 4S190-4S199	1

DWG NR / NAME:

### 4S191 / Self-aligning lower bearing

BATCH NR:

PROJECT:  
Shaft ø191mm, max working load 10800 kg

REKV.NR / ORDRE NR:

DATE:  
28-09-2009

NAME:  
JR

SCALE / PAPER:  
1:6 / A4

MATERIAL:  
WEIGHT: g

LOCATION:

ORDRE DATO:

MODIFY DATE:  
24-08-2023 /

REV:

LEV.DATO:

*Jefa Rudder*  
SYSTEMS

JEFA MARINE A/S  
NIMBUSVEJ 2  
2670 GREVE, DENMARK  
Tlf: +45 4615 5210  
E-mail: info@jefa.dk <https://jefa.dk>