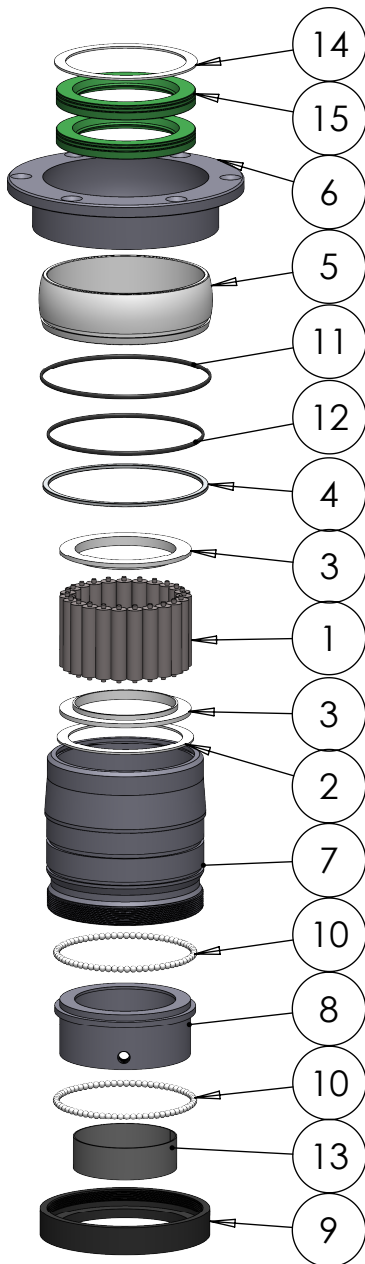


SECTION A-A
SCALE 2 : 5



ITEM NO.	PART NUMBER	PART NAME	QTY.
1	M01-372	Roller $\varnothing 12.5 \times 57\text{mm}$	23
2	M03-220	Delrin Lockring $\varnothing 108,5 \times \varnothing 91 \times 1,75\text{mm}$	1
3	M05-191	L-ring $\varnothing 80 \varnothing 83.5 \varnothing 105$	2
4	M09-111	Alu lockring $\varnothing 122.5 \times \varnothing 131.5$	1
5	M11-105	Ball 4S070-4SF099	1
6	M33-110	Outer house 4SF080-4SF099	1
7	M37-111	Inner house 4SF080H-PL	1
8	M39-110	Hanger $\varnothing 80$	1
9	M41-120	Omløber $\varnothing 80\text{mm}$	1
10	M41-510	5mm delrin ball	138
11	O-ring	$\varnothing 120 \times 2.5\text{mm}$	1
12	O-ring	$\varnothing 120 \times 2.5$	1
13	Platic hub	Plastic innerligner 80 x 1mm plate	1
14	M03-225	Delrin Lockring $\varnothing 113,5 \times \varnothing 96 \times 1,75\text{mm}$	1
15	PUR080110	PUR Lip seal 80x110x12mm	2

DWG NR / NAME: **4SF080H-PL / S-A top roller bearing with hanger**

PROJECT: Shaft $\varnothing 80\text{mm}$. Max working load 5600kg

DATE: 24-06-2020

NAME: TCH

SCALE / PAPER: 1:5 / A4

MATERIAL: WEIGHT: g

LOCATION: REV:

BATCH NR:

REKV.NR / ORDRE NR:

ORDRE DATO:

LEV.DATO:

Jefa Rudder
SYSTEMS

JEFA MARINE A/S
NIMBUSVEJ 2
2670 GREVE, DENMARK

Tlf: +45 4615 5210 & Fax: +45 46155208
Email: info@jefa.com www.jefa.com

: /