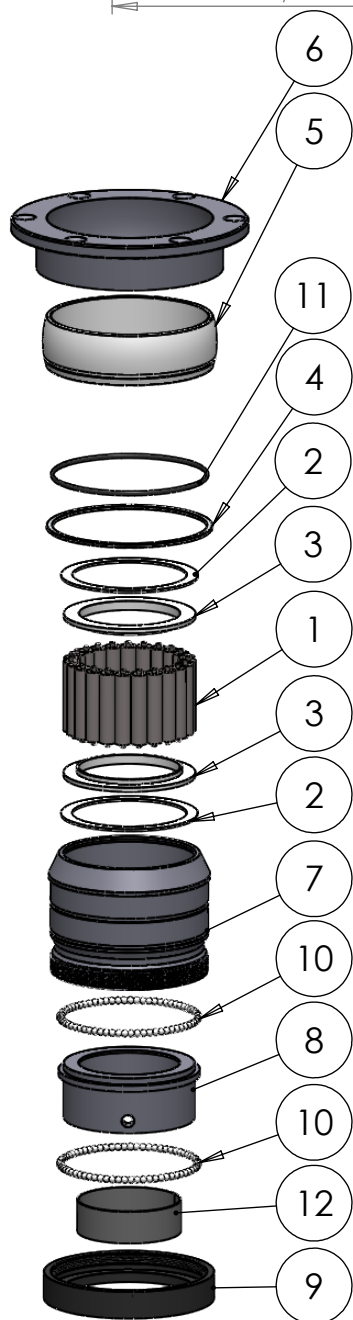
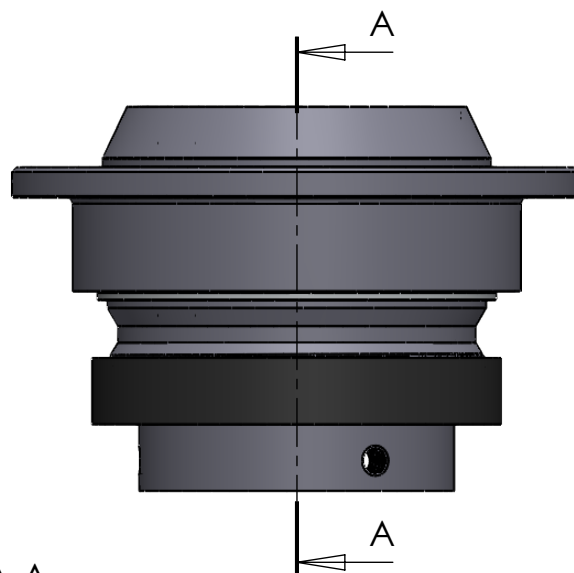


SECTION A-A
SCALE 2 : 5



ITEM NO.	PART NUMBER	PART NAME	QTY.
1	M01-372	Roller $\varnothing 12.5 \times 57\text{mm}$	23
2	M03-220	Delrin Lockring $\varnothing 108,5 \times \varnothing 91 \times 1,75\text{mm}$	2
3	M05-191	L-ring $\varnothing 80 \varnothing 83.5 \varnothing 105$	2
4	M09-111	Alu lockring $\varnothing 122.5 \times \varnothing 131.5$	1
5	M11-105	Ball 4S070-4SF099	1
6	M33-110	Outer house 4SF080-4SF099	1
7	M37-110	Inner house 4S080Z	1
8	M39-110	Hanger $\varnothing 80$	1
9	M41-120	Omløber $\varnothing 80\text{mm}$	1
10	M41-510	5mm delrin ball	138
11	O-ring	$\varnothing 110 \times 2.5$	1
12	Platic hub	Plastic innerligner $80 \times 1\text{mm}$ plate	1

DWG NR / NAME:

4SF080H / S-A top roller bearing with hanger

PROJECT:

Shaft $\varnothing 80\text{mm}$. Max working load 5600kg

DATE:

11.01.2012

NAME:

JR

SCALE / PAPER:

1:5 / A4

MATERIAL:

WEIGHT:

g

LOCATION:

REV:

BATCH NR:

REKV.NR / ORDRE NR:

ORDRE DATO:

LEV.DATO:

Jefa Rudder
SYSTEMS

JEFA MARINE A/S
NIMBUSVEJ 2
2670 GREVE. DENMARK

Tlf: +45 4615 5210 & Fax: +45 4615208
Email: info@jefa.com www.jefa.com

MODIFY DATE:

: /