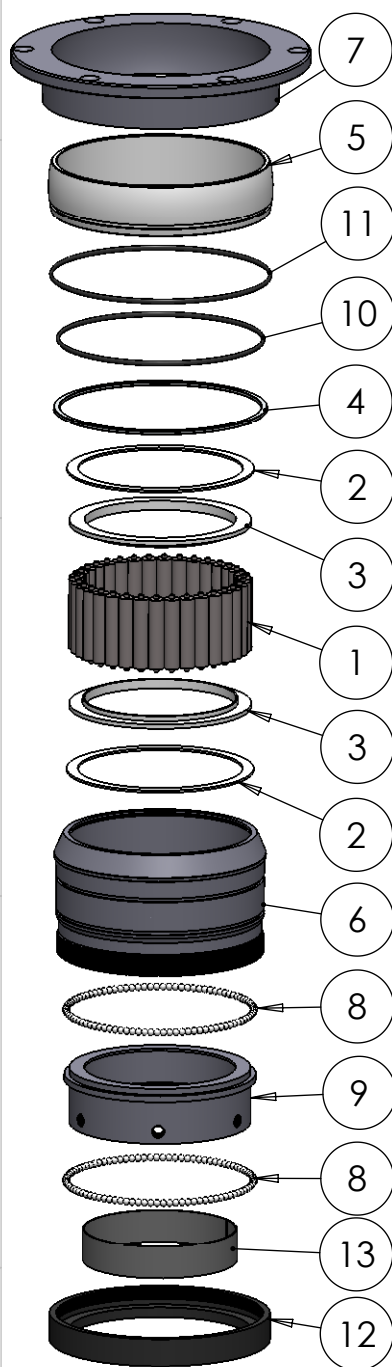
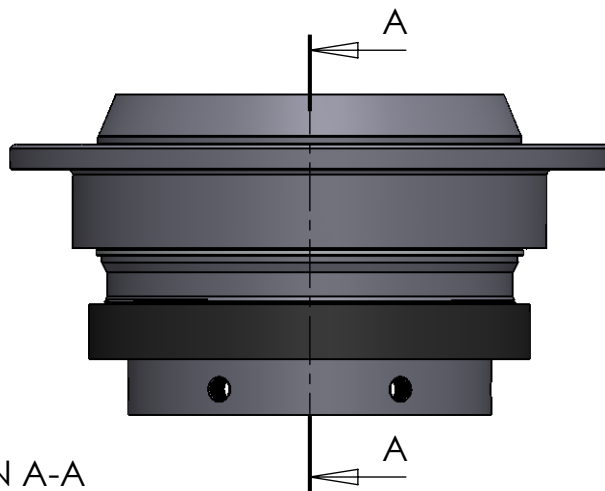
SECTION A-A
SCALE 1 : 3

ITEM NO.	PART NUMBER	PART NAME	QTY.
1	M01-372	Roller $\varnothing 12.5 \times 57\text{mm}$	34
2	M03-285	Delrin Lockring $\varnothing 148,5 \times \varnothing 131 \times 1,75\text{mm}$	2
3	M05-293	L-ring $\varnothing 120 \varnothing 123.5 \varnothing 145$	2
4	M09-120	Alu lockring $\varnothing 160.5 \times \varnothing 169.5$	1
5	M11-109	Ball 4S120-4SF139	1
6	M37-120	Inner house 4S120Z	1
7	M33-120	Outer house 4SF120-4SF139	1
8	M41-510	5mm delrin ball	188
9	M39-125	Hanger $\varnothing 120$	1
10	O-ring	$\varnothing 163 \times 2.5$	1
11	O-ring	$\varnothing 174 \times 3.5$	1
12	M41-140	Omløber $\varnothing 120\text{mm}$	1
13	Platic hub	Plastic innerligner 120 x 1mm plate	1

DWG NR / NAME:

4SF120H / S-A top roller bearing with hanger

BATCH NR:

PROJECT:

Shaft $\varnothing 120\text{mm}$. Max working load 7900kg

REKV.NR / ORDRE NR:

DATE:

11.01.2012

NAME:

JR

SCALE / PAPER:

1:6 / A4

MATERIAL:

WEIGHT:

g

LOCATION:

REV:

ORDRE DATO:

LEV.DATO:

MODIFY DATE:

: /

Jefa Rudder
S Y S T E M S

JEFA MARINE A/S
NIMBUSVEJ 2
2670 GREVE, DENMARK

Tlf: +45 4615 5210 & Fax: +45 4615208
Email: info@jefa.com www.jefa.com