

A

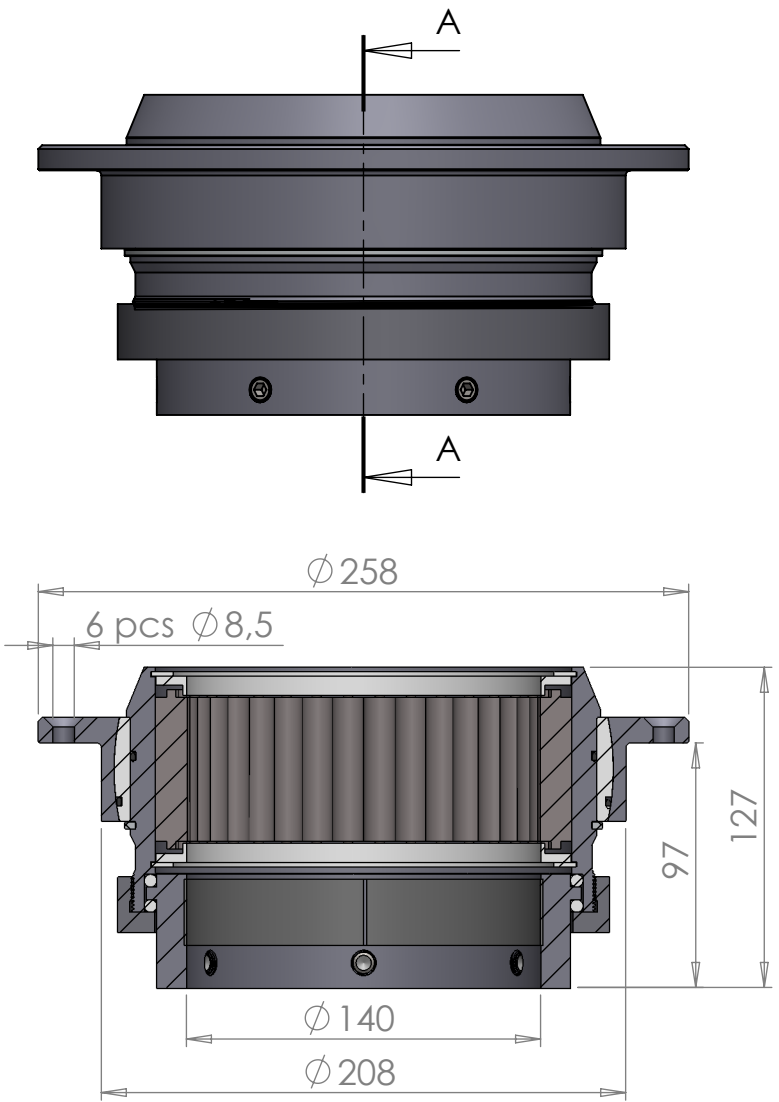
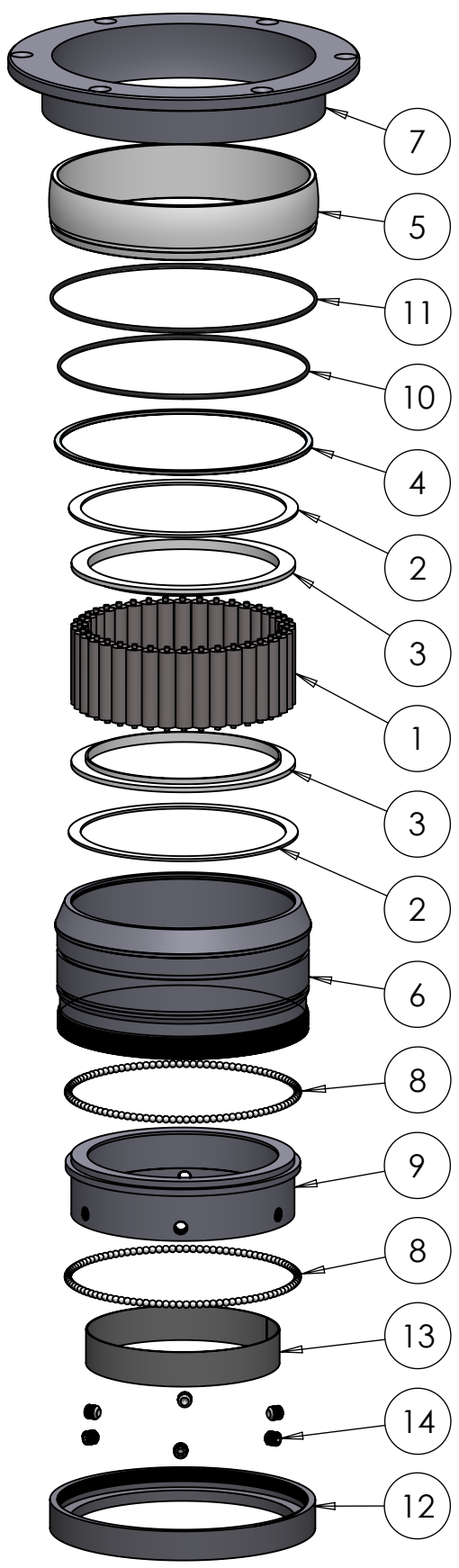
B

C

D

E

F



SECTION A-A  
SCALE 1 : 3

ITEM NO.	PART NUMBER	PART NAME	QTY.
1	M01-372	Roller $\phi 12.5 \times 57$ mm	38
2	M03-305	Delrin Lockring $\phi 168,5 \times \phi 151 \times 1,75$ mm	2
3	M05-335	L-ring $\phi 140 \phi 143.5 \phi 165$	2
4	M09-125	Alu lockring $\phi 180.5 \times \phi 189.5$	1
5	M11-111	Ball 4S140-4SF159	1
6	M37-125	Inner house 4S140Z	1
7	M33-125	Outer house 4SF140-4SF159	1
8	M41-510	5mm delrin ball	212
9	M39-130	Hanger $\phi 140$	1
10	O-ring	$\phi 183 \times 2.5$	1
11	O-ring	$\phi 194 \times 3,5$	1
12	M41-150	Omløber $\phi 140$ mm	1
13	Platic hub	Plastic innerligner 140 x 1mm plate	1
14	DIN916-10x10	Socket set Screw M10x10mm	6

DWG NR / NAME:  
4SF140H / S-A top roller bearing with hanger

PROJECT:  
Shaft  $\phi 140$ mm, Max working load 8800kg

DATE: 09.02.2015	NAME: KJ	SCALE / PAPER: 1:6 / A4	MATERIAL: WEIGHT: g	LOCATION: REV:	BATCH NR:	ORDRE DATO: LEV.DATO:	REKV.NR / ORDRE NR:
: /					 JEFA MARINE A/S NIMBUSVEJ 2 2670 GREVE, DENMARK Tlf: +45 4615 5210 & Fax: +45 4615208 Email: info@jefa.com www.jefa.com		