

A

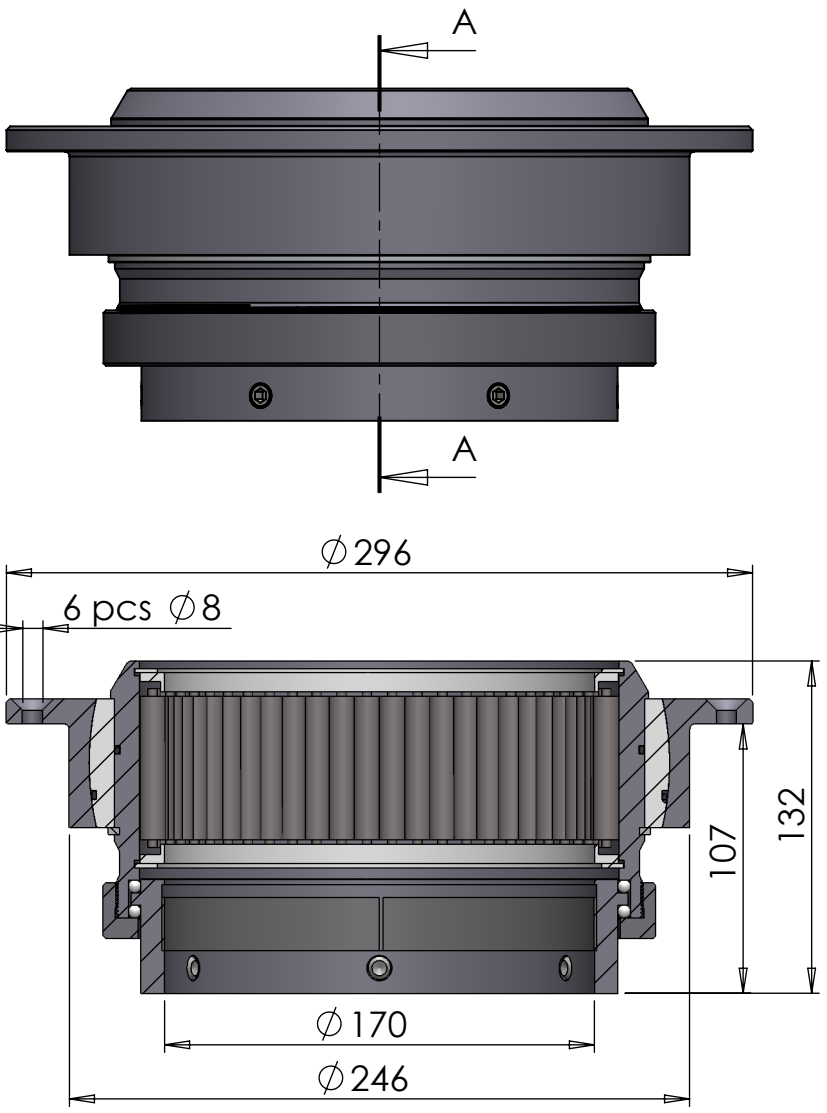
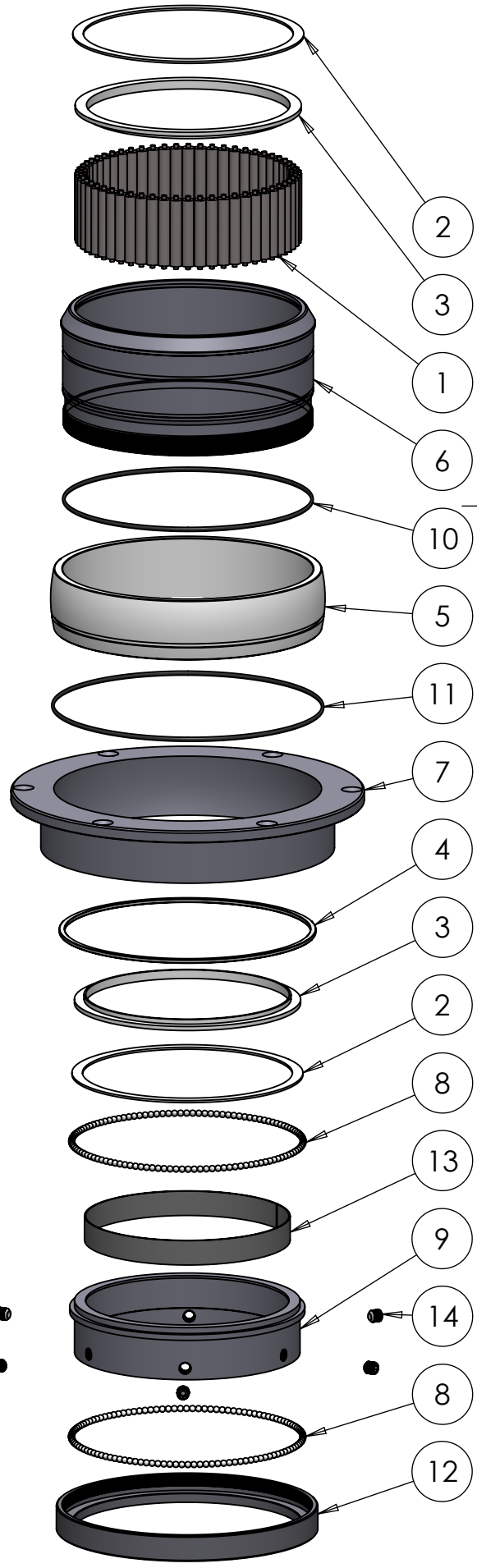
B

C

D

E

F



SECTION A-A
SCALE 1 : 3

ITEM NO.	PART NUMBER	PART NAME	QTY.
1	M01-332	Roller ø10.0 x 57mm	56
2	M03-330	Delrin Lockring ø193,5 x ø176 x 1,75mm	2
3	M5-376	L-ring ø170 x ø173 x ø190mm	2
4	M09-130	Alu locking ø206 x ø215	1
5	M11-113	Ball 4S160-4SF179	1
6	M37-165	Inner house 4S165Z 4S170Z	1
7	M33-130	Outer house 4SF160-4SF179	1
8	M41-510	5mm delrin ball	240
9	M39-145	Hanger ø170	1
10	O-ring	ø208 x 2.5	1
11	O-ring	ø226 x 2.5	1
12	M41-160	Omløber ø165mm	1
13	Platic hub	Plastic innerligner 170 x 1mm plate	1
14	DIN916-10x10	Socket set screw with cup point M10x10	6

DWG NR / NAME: 4SF170H / S-A top roller bearing with hanger

PROJECT: Shaft ø170mm, Max working load 9500kg

DATE: 09.02.2015 NAME: KJ SCALE / PAPER: 1:6 / A4 MATERIAL: WEIGHT: g LOCATION: REV:

BATCH NR:
REKV.NR / ORDRE NR:
ORDRE DATO:
LEV.DATO:

Jefa Rudder
SYSTEMS
JEFA MARINE A/S
NIMBUSVEJ 2
2670 GREVE, DENMARK
Tlf: +45 4615 5210 & Fax: +45 46155208
Email: info@jefa.com www.jefa.com

: /