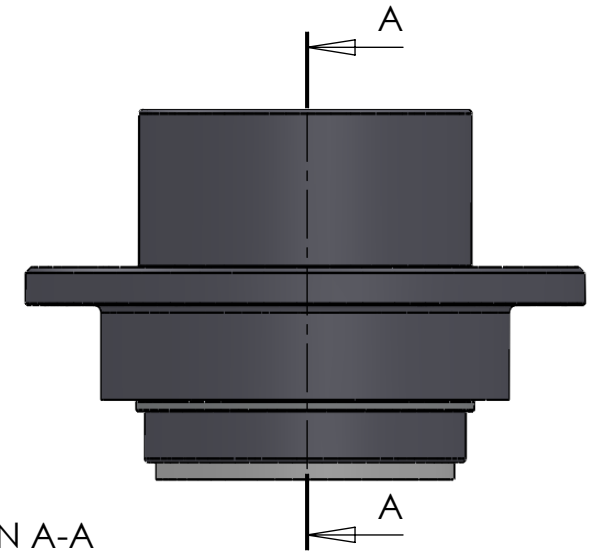


SECTION A-A
SCALE 1 : 2



ITEM NO.	PART NUMBER	PART NAME	QTY.
1	M33-101	Outer house 4SF040-4SF059	1
2	M11-101	Ball 4SF040-4SF059	1
3	O-ring	$\varnothing 90 \times 2,5$	1
4	M03-195	Delrin Lockring $\varnothing 68,5 \times \varnothing 51 \times 1,75\text{mm}$	2
5	M05-119	L-ring $\varnothing 45 \times \varnothing 65 \times 7,5$	2
6	M01-264	Roller $\varnothing 12 \times 44\text{mm}$	13
7	M35-101	Inner house 4SF040-4SF049	1
8	O-ring	$\varnothing 75 \times 2,5\text{mm}$	1
9	M09-101	Alu lockring $\varnothing 80.5 \times \varnothing 89.5$	1
10	M07-108	Washer, delrin $\varnothing 42,5 \times \varnothing 79 \times 4,5\text{mm}$	1

DWG NR / NAME:

4SF041 / S-A top roller bearing

BATCH NR:

PROJECT:

Shaft $\varnothing 41\text{mm}$, max working load 2100kg

REKV.NR / ORDRE NR:

DATE:

20-01-2011

NAME:

JR

SCALE / PAPER:

1:2.5 / A4

MATERIAL:

WEIGHT: g

LOCATION:

ORDRE DATO:

MODIFY DATE:

: /

REV:

LEV.DATO:

Jefa Rudder
SYSTEMS

JEFA MARINE A/S
NIMBUSVEJ 2
2670 GREVE. DENMARK
Tlf: +45 4615 5210 & Fax: +45 46155208
Email: info@jefa.com www.jefa.com