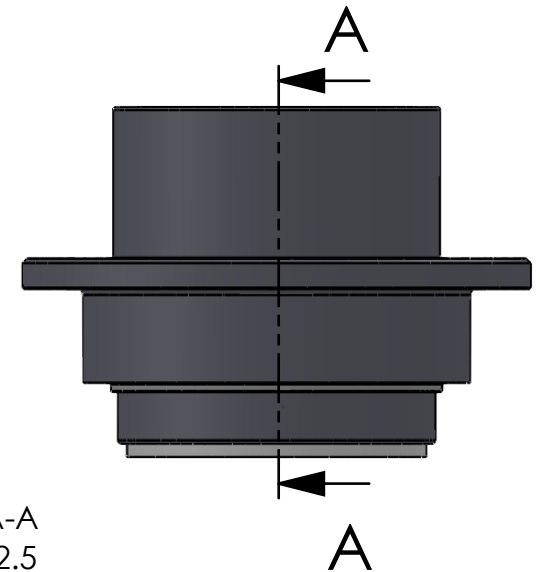


SECTION A-A  
SCALE 1 : 2.5



ITEM NO.	PART NUMBER	PART NAME	QTY.
1	M33-105	Outer house 4SF060-4SF079	1
2	M11-103	Ball 4SF060-4SF079	1
3	O-ring	$\phi 100 \times 2.5\text{mm}$	1
4	M03-207	Delrin Lockring $\phi 88,5 \times \phi 71 \times 1,75\text{mm}$	2
5	M05-167	L-ring $\phi 67 \phi 69.5 \phi 85$	2
6	M01-216	Roller $\phi 9 \times 44\text{mm}$	26
7	M35-105	Inner house 4SF060-4SF069	1
8	O-ring	$\phi 90 \times 2,5\text{mm}$	1
9	M09-105	Alu lockring $\phi 100,5 \times \phi 109,5$	1
10	M07-140	Washer $\phi 67.5 \phi 99$	1

DWG NR / NAME:

### 4SF067 / S-A top roller bearing

BATCH NR:

PROJECT:

Shaft  $\phi 67\text{mm}$ , max working load 4200 kg

REKV.NR / ORDRE NR:

DATE:

20-01-2011

NAME:

JR

SCALE / PAPER:

1:10 / A4

MATERIAL:

WEIGHT: g

LOCATION:

REV:

ORDRE DATO:

LEV.DATO:

MODIFY DATE:

: /

*Jefa Rudder*  
SYSTEMS

JEFA MARINE A/S  
NIMBUSVEJ 2  
2670 GREVE. DENMARK

Tlf: +45 4615 5210 & Fax: +45 46155208  
Email: info@jefa.com www.jefa.com