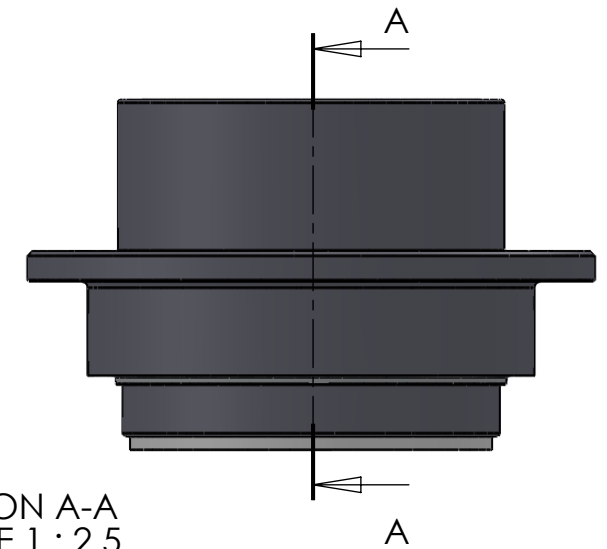



SECTION A-A
SCALE 1 : 2.5



ITEM NO.	PART NUMBER	PART NAME	QTY.
1	M33-110	Outer house 4SF080-4SF099	1
2	M11-105	Ball 4SF080-4SF099	1
3	O-ring	ø120 x 2.5mm	1
4	M03-220	Delrin Lockring ø108,5 x ø91 x 1,75mm	2
5	M05-197	L-ring, delrin ø86 x ø105 x 7,5mm	2
6	M01-332	Roller ø10.0 x 57mm	30
7	M35-109	Inner house 4SF080-4SF089	1
8	O-ring	ø115 x 2.5	1
9	M09-110	Alu lockring ø120.5 x ø129.5	1
10	M07-166	Washer, delrin ø85,5 x ø120 x 4,5mm	1

DWG NR / NAME: 4SF085 / S-A top roller bearing				BATCH NR:	
PROJECT: Shaft Ø85mm, max working load 5600kg				REKV.NR / ORDRE NR:	
DATE: 20-01-2011	NAME: JR	SCALE / PAPER: 1:3.5 / A4	MATERIAL: g	LOCATION:	ORDRE DATO:
MODIFY DATE: : /			WEIGHT: g	REV:	LEV.DATO:



Jefa Rudder
SYSTEMS
JEFA MARINE A/S
NIMBUSVEJ 2
2670 GREVE. DENMARK
Tlf: +45 4615 5210 & Fax: +45 46155208
Email: info@jefa.com www.jefa.com