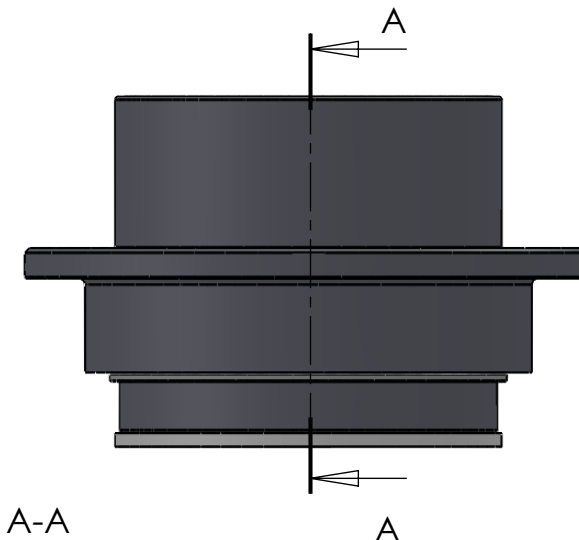


SECTION A-A  
SCALE 1 : 2.5



ITEM NO.	PART NUMBER	PART NAME	QTY.
1	M33-110	Outer house 4SF080-4SF099	1
2	M11-105	Ball 4SF080-4SF099	1
3	O-ring	$\varnothing 120 \times 2.5\text{mm}$	1
4	M03-228	Delrin Lockring $\varnothing 118,5 \times 101 \times 1,75\text{mm}$	2
5	M05-209	L-ring $\varnothing 90 \varnothing 93.5 \varnothing 115$	2
6	M01-372	Roller $\varnothing 12.5 \times 57\text{mm}$	25
7	M35-111	Inner house 4SF090-4SF099	1
8	O-ring	$\varnothing 115 \times 2.5$	1
9	M09-110	Alu lockring $\varnothing 120.5 \times \varnothing 129.5$	1
10	M07-173	Washer, delrin $\varnothing 90,5 \times \varnothing 128 \times 4,5\text{mm}$	1

DWG NR / NAME: <b>4SF090 / S-A top roller bearing</b>				BATCH NR:	
PROJECT: Shaft $\varnothing 90\text{mm}$ , max working load 6200kg				REKV.NR / ORDRE NR:	
DATE: 20-01-2011	NAME: JR	SCALE / PAPER: 1:3.5 / A4	MATERIAL: g	LOCATION:	ORDRE DATO:
MODIFY DATE: : /				REV:	LEV.DATO:

*Jefa Rudder*  
S Y S T E M S

JEFA MARINE A/S  
NIMBUSVEJ 2  
2670 GREVE. DENMARK  
Tlf: +45 4615 5210 & Fax: +45 46155208  
Email: info@jefa.com www.jefa.com