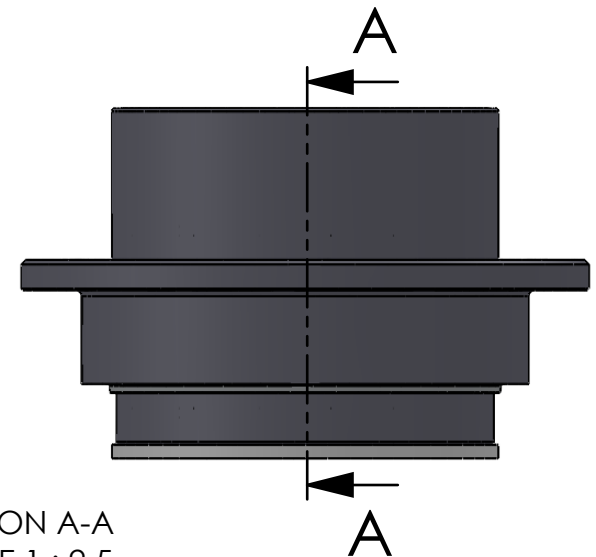


SECTION A-A  
SCALE 1 : 2.5



ITEM NO.	PART NUMBER	PART NAME	QTY.
1	M33-110	Outer house 4SF080-4SF099	1
2	M11-105	Ball 4SF080-4SF099	1
3	O-ring	$\varnothing 120 \times 2.5\text{mm}$	1
4	M03-228	Delrin Lockring $\varnothing 118,5 \times 101 \times 1,75\text{mm}$	2
5	M05-215	L-ring $\varnothing 93 \varnothing 96.5 \varnothing 115$	2
6	M01-364	Roller $\varnothing 12.0 \times 57\text{mm}$	27
7	M35-111	Inner house 4SF090-4SF099	1
8	O-ring	$\varnothing 115 \times 2.5$	1
9	M09-110	Alu lockring $\varnothing 120.5 \times \varnothing 129.5$	1
10	M07-176	Washer $\varnothing 94.5 \varnothing 128$	1

DWG NR / NAME:

**4SF091 / S-A top roller bearing**

BATCH NR:

PROJECT:

Shaft  $\varnothing 91\text{mm}$ , max working load 6200kg

REKV.NR / ORDRE NR:

DATE:

20-01-2011

NAME:

JR

SCALE / PAPER:

1:10 / A4

MATERIAL:

WEIGHT: g

LOCATION:

REV:

ORDRE DATO:

LEV.DATO:

MODIFY DATE:

: /

*Jefa Rudder*  
SYSTEMS

JEFA MARINE A/S  
NIMBUSVEJ 2  
2670 GREVE. DENMARK

Tlf: +45 4615 5210 & Fax: +45 46155208  
Email: info@jefa.com www.jefa.com