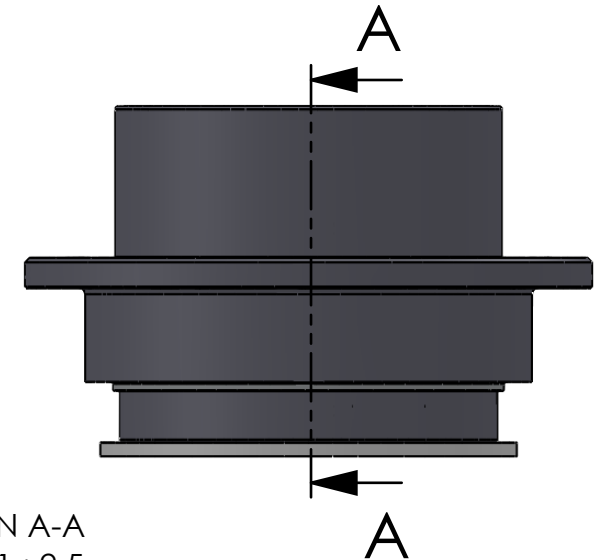


SECTION A-A
SCALE 1 : 2.5



ITEM NO.	PART NUMBER	PART NAME	QTY.
1	M33-110	Outer house 4SF080-4SF099	1
2	M11-105	Ball 4SF080-4SF099	1
3	O-ring	$\phi 120 \times 2.5\text{mm}$	1
4	M03-228	Delrin Lockring $\phi 118,5 \times 101 \times 1,75\text{mm}$	2
5	M05-227	L-ring $\phi 97 \phi 99.5 \phi 115$	2
6	M01-316	Roller $\phi 9.0 \times 57\text{mm}$	37
7	M35-111	Inner house 4SF090-4SF099	1
8	O-ring	$\phi 115 \times 2.5$	1
9	M09-110	Alu lockring $\phi 120.5 \times \phi 129.5$	1
10	M07-182	Washer $\phi 97.5 \phi 138$	1

DWG NR / NAME: 4SF097 / S-A top roller bearing				BATCH NR:		<i>Jefa Rudder</i> S Y S T E M S
PROJECT: Shaft $\phi 97\text{mm}$, max working load 6200kg				REKV.NR / ORDRE NR:		
DATE: 20-01-2011	NAME: JR	SCALE / PAPER: 1:10 / A4	MATERIAL: WEIGHT: g	LOCATION:	ORDRE DATO:	JEFA MARINE A/S NIMBUSVEJ 2 2670 GREVE. DENMARK Tlf: +45 4615 5210 & Fax: +45 46155208 Email: info@jefa.com www.jefa.com
MODIFY DATE: : /			REV:	LEV.DATO:		