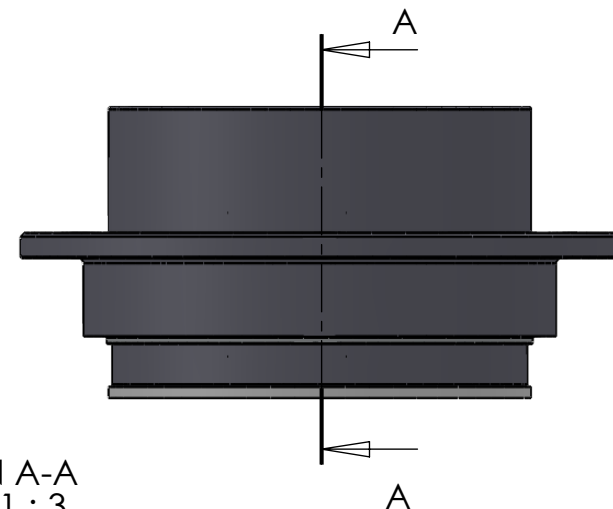



SECTION A-A
SCALE 1 : 3



ITEM NO.	PART NUMBER	PART NAME	QTY.
1	M33-120	Outer house 4SF120-4SF139	1
2	M11-109	Ball 4SF120-4SF139	1
3	O-ring	$\varnothing 160 \times 2.5\text{mm}$	1
4	M03-285	Delrin Lockring $\varnothing 148,5 \times \varnothing 131 \times 1,75\text{mm}$	2
5	M05-302	L-ring $\varnothing 125 \varnothing 128.5 \varnothing 145$	2
6	M01-332	Roller $\varnothing 10.0 \times 57\text{mm}$	42
7	M35-117	Inner house 4SF120-4SF129	1
8	O-ring	$\varnothing 150 \times 2.5\text{mm}$	1
9	M09-120	Alu lockring $\varnothing 160.5 \times \varnothing 169.5$	1
10	M07-215	Washer $\varnothing 125.5 \varnothing 168$	1

DWG NR / NAME: 4SF125 / S-A top roller bearing				BATCH NR:		
PROJECT: Shaft $\varnothing 125\text{mm}$, max working load 7900kg				REKV.NR / ORDRE NR:		
DATE: 20-01-2011	NAME: JR	SCALE / PAPER: 1:5 / A4	MATERIAL: g	LOCATION:	ORDRE DATO:	JEFA MARINE A/S NIMBUSVEJ 2 2670 GREVE. DENMARK Tlf: +45 4615 5210 & Fax: +45 46155208 Email: info@jefa.com www.jefa.com
MODIFY DATE: /				REV:	LEV.DATO:	