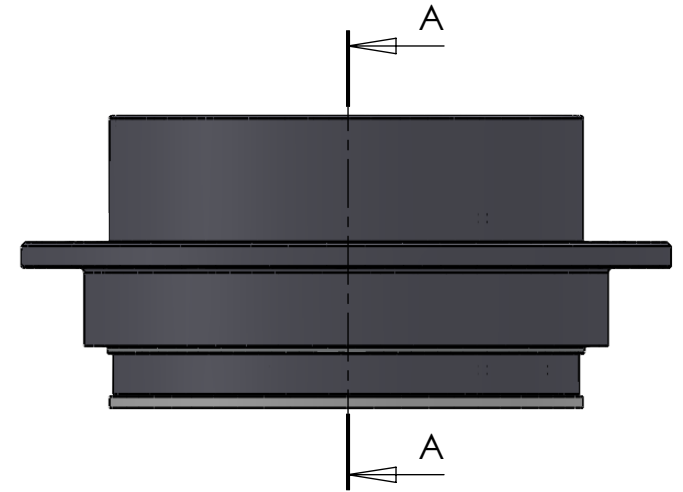


SECTION A-A  
SCALE 1 : 3



ITEM NO.	PART NUMBER	PART NAME	QTY.
1	M33-125	Outer house 4SF140-4SF159	1
2	M11-111	Ball 4SF140-4SF159	1
3	O-ring	ø180 x 2,5	1
4	M03-315	Delrin Lockring ø178,5 x ø161 x 1,75mm	2
5	M05-356	L-ring ø159 ø161.5 ø175	2
6	M01-308	Roller ø8.5 x 57mm	61
7	M35-123	Inner house 4SF150-4SF159	1
8	O-ring	ø170 x 2.5	1
9	M09-125	Alu lockring ø180.5 x ø189.5	1
10	M07-233	Washer Ø159 x Ø188 x 4,5mm	1

DWG NR / NAME: <b>4SF158 / S-A top roller bearing</b>				BATCH NR:		<i>Jefa Rudder</i> SYSTEMS
PROJECT: Shaft Ø158mm, max working load 9300kg				REKV.NR / ORDRE NR:		
DATE: 20-01-2011	NAME: JR	SCALE / PAPER: 1:5 / A4	MATERIAL: WEIGHT: g	LOCATION:	ORDRE DATO:	JEFA MARINE A/S NIMBUSVEJ 2 2670 GREVE. DENMARK Tlf: +45 4615 5210 & Fax: +45 46155208 Email: info@jefa.com www.jefa.com
MODIFY DATE: : /				REV:	LEV.DATO:	