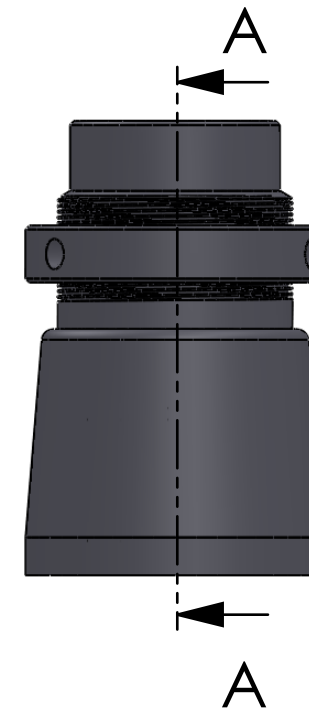



SECTION A-A  
SCALE 1 : 2



ITEM NO.	PART NUMBER	PART NAME	QTY.
1	M54-100	Nut M62x2	1
2	M53-100	House for 5BT030-5BT045	1
3	M13-110-37	Ball with rollers for Ø37mm	1

DWG NR / NAME: <b>5BT037 / Conical SA lower roller bearing</b>				BATCH NR:		 <b>JEFA MARINE A/S</b> NIMBUSVEJ 2 2670 GREVE, DENMARK Tlf: +45 4615 5210 & Fax: +45 46155208 Email: info@jefa.com www.jefa.com
PROJECT: Shaft Ø37mm, max working load 1000-1400kg				REKV.NR / ORDRE NR:		
DATE: 29.09.2011	NAME: JR	SCALE / PAPER: 1:2 / A4	MATERIAL: WEIGHT: g	LOCATION:	ORDRE DATO:	
MODIFY DATE: : /				REV:	LEV.DATO:	