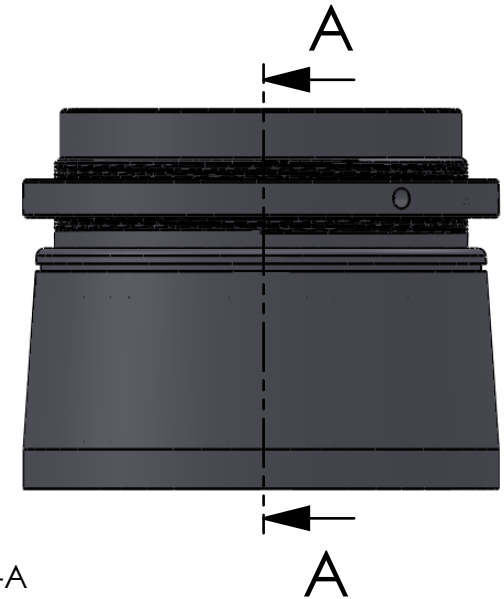


SECTION A-A
SCALE 1 : 3



ITEM NO.	PART NUMBER	PART NAME	QTY.
1	M54-120	Nut M164x2	1
2	M53-120	House for 5BT116-5BT140	1
3	M13-501-120	Ball with rollers for $\varnothing 120\text{mm}$	1

DWG NR / NAME:

5BT120 / Conical SA lower roller bearing

BATCH NR:

PROJECT:

Shaft $\varnothing 120\text{mm}$, max working load 6600-7900kg

REKV.NR / ORDRE NR:

DATE:

29.09.2011

NAME:

JR

SCALE / PAPER:

1:3 / A4

MATERIAL:

WEIGHT: g

LOCATION:

ORDRE DATO:

MODIFY DATE:

: /

REV:

LEV.DATO:

Jefa Rudder
S Y S T E M S

JEFA MARINE A/S
NIMBUSVEJ 2
2670 GREVE. DENMARK

Tlf: +45 4615 5210 & Fax: +45 46155208
Email: info@jefa.com www.jefa.com