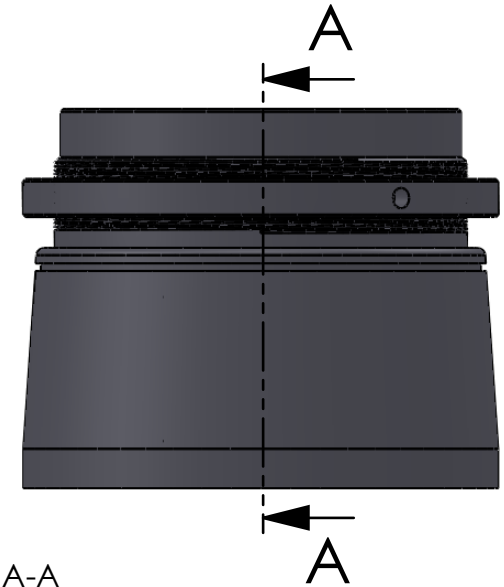


SECTION A-A  
SCALE 1 : 3



| ITEM NO. | PART NUMBER | PART NAME                                 | QTY. |
|----------|-------------|---|------|
| 1        | M54-120     | Nut M164x2                                | 1    |
| 2        | M53-120     | House for 5BT116-5BT140                   | 1    |
| 3        | M13-505-122 | Ball with rollers for $\phi 122\text{mm}$ | 1    |

DWG NR / NAME:

**5BT122 / Conical SA lower roller bearing**

BATCH NR:

PROJECT:

Shaft  $\phi 122\text{mm}$ , max working load 6600-7900kg

REKV.NR / ORDRE NR:

DATE:

29.09.2011

NAME:

JR

SCALE / PAPER:

1:10 / A4

MATERIAL:

WEIGHT: g

LOCATION:

REV:

ORDRE DATO:

LEV.DATO:

MODIFY DATE:

: /

*Jefa Rudder*  
S Y S T E M S

JEFA MARINE A/S  
NIMBUSVEJ 2  
2670 GREVE. DENMARK  
Tlf: +45 4615 5210 & Fax: +45 46155208  
Email: info@jefa.com www.jefa.com