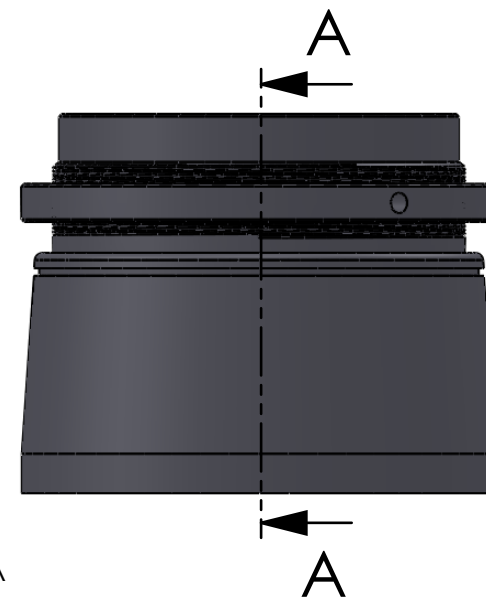


SECTION A-A
SCALE 1 : 3



ITEM NO.	PART NUMBER	PART NAME	QTY.
1	M54-120	Nut M164x2	1
2	M53-120	House for 5BT116-5BT140	1
3	M13-505-124	Ball with rollers for $\varnothing 124\text{mm}$	1

DWG NR / NAME: 5BT124 / Conical SA lower roller bearing				BATCH NR:		 Jefa Rudder SYSTEMS JEFA MARINE A/S NIMBUSVEJ 2 2670 GREVE. DENMARK Tlf: +45 4615 5210 & Fax: +45 46155208 Email: info@jefa.com www.jefa.com
PROJECT: Shaft $\varnothing 124\text{mm}$, max working load 6600-7900kg				REKV.NR / ORDRE NR:		
DATE: 29.09.2011	NAME: JR	SCALE / PAPER: 1:3 / A4	MATERIAL: WEIGHT: g	LOCATION:	ORDRE DATO:	
MODIFY DATE: : /				REV:	LEV.DATO:	