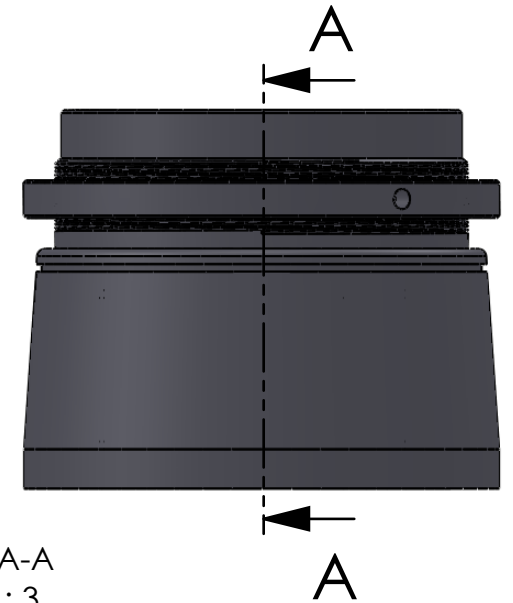


SECTION A-A
SCALE 1 : 3



ITEM NO.	PART NUMBER	PART NAME	QTY.
1	M54-120	Nut M164x2	1
2	M53-120	House for 5BT116-5BT140	1
3	M13-510-129	Ball with rollers for $\phi 129$ mm	1

DWG NR / NAME: **5BT129 / Conical SA lower roller bearing**

PROJECT: Shaft $\phi 129$ mm, max working load 6600-7900kg

DATE: 29.09.2011

NAME: JR

SCALE / PAPER: 1:3 / A4

MATERIAL: WEIGHT: g

LOCATION:

REV:

BATCH NR:

REKV.NR / ORDRE NR:

ORDRE DATO:

LEV.DATO:

Jefa Rudder
S Y S T E M S

JEFA MARINE A/S
NIMBUSVEJ 2
2670 GREVE. DENMARK
Tlf: +45 4615 5210 & Fax: +45 46155208
Email: info@jefa.com www.jefa.com

: /