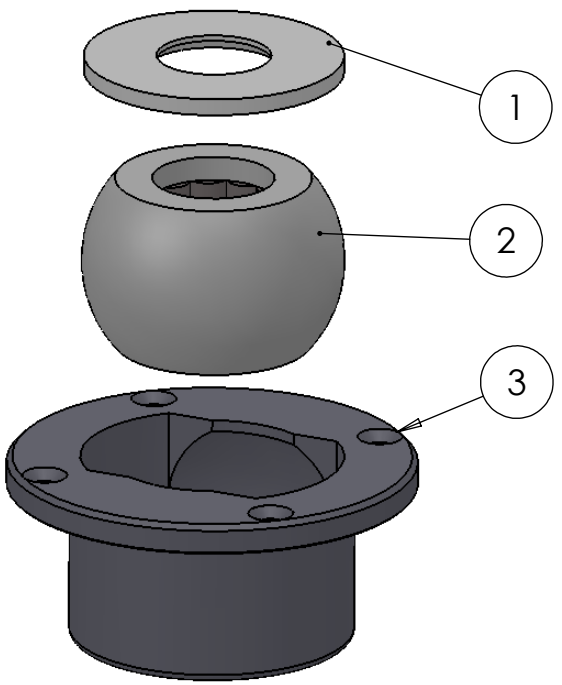



SECTION A-A
SCALE 1 : 1



ITEM NO.	PART NUMBER	PART NAME	QTY.
1	M07-098	Washer, delrin $\phi 30,5 \times \phi 69 \times 4,5\text{mm}$	1
2	M13-104-30	Ball with Rollers for $\phi 30\text{mm}$	1
3	M51-085	House for 5T030-5T045	1

DWG NR / NAME: 5T030 / S-A top Roller bearing $\phi 30\text{mm}$				BATCH NR:	
PROJECT: Shaft $\phi 30\text{mm}$, max working load 1000 kg				REKV.NR / ORDRE NR:	
DATE: 07-01-2011	NAME: JR	SCALE / PAPER: 1:2 / A4	MATERIAL: WEIGHT: g	LOCATION:	ORDRE DATO:
MODIFY DATE: : /				REV:	LEV.DATO:



Jefa Rudder
SYSTEMS
JEFA MARINE A/S
NIMBUSVEJ 2
2670 GREVE. DENMARK
Tlf: +45 4615 5210 & Fax: +45 46155208
Email: info@jefa.com www.jefa.com