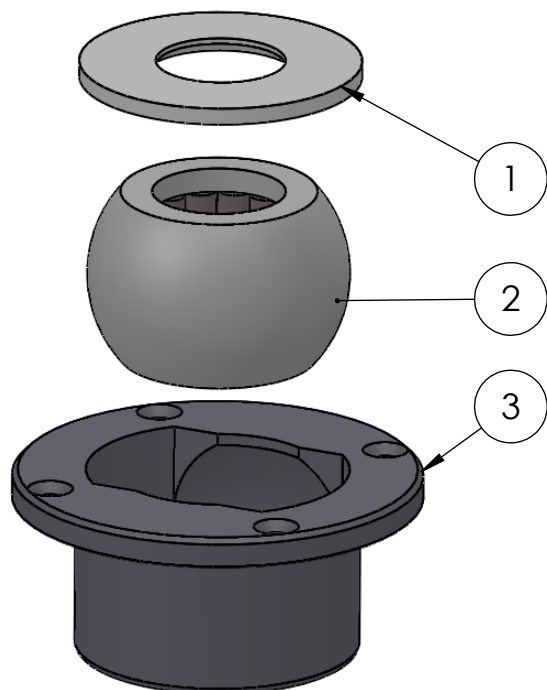
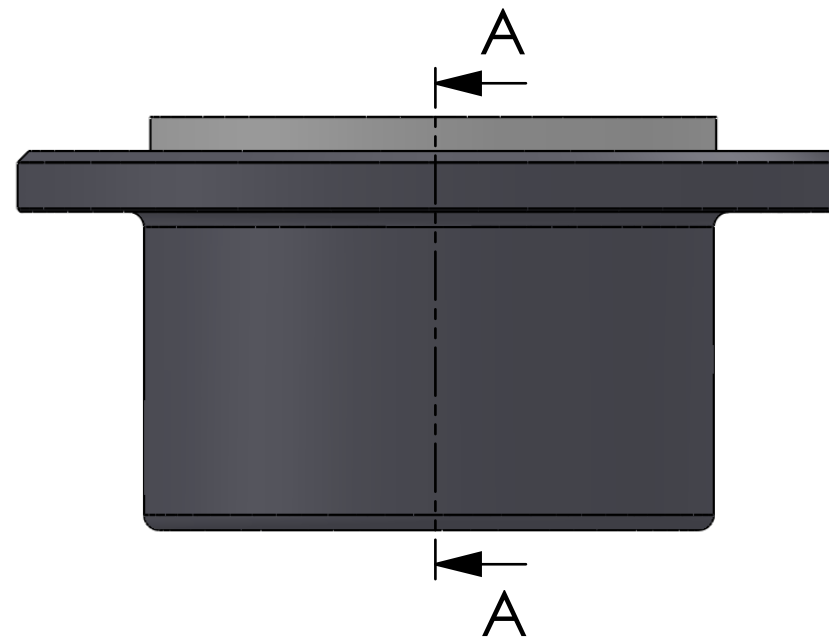



SECTION A-A  
SCALE 1 : 1



ITEM NO.	PART NUMBER	PART NAME	QTY.
1	M07-100	Washer, delrin $\phi 34,5 \times \phi 75 \times 4,5\text{mm}$	1
2	M13-107-33	Ball with rollers for $\phi 33\text{mm}$	1
3	M51-085	House for 5T030-5T045	1

DWG NR / NAME: <b>5T033 / S-A top roller bearing for <math>\phi 33\text{mm}</math></b>				BATCH NR:		 <b>Jefa Rudder</b> SYSTEMS JEFA MARINE A/S NIMBUSVEJ 2 2670 GREVE, DENMARK Tlf: +45 4615 5210 & Fax: +45 46155208 Email: info@jefa.com www.jefa.com
PROJECT: Shaft $\phi 33\text{mm}$ , max working load 1000-1400kg				REKV.NR / ORDRE NR:		
DATE: 01.08.2016	NAME: JR	SCALE / PAPER: 1:2 / A4	MATERIAL: WEIGHT: g	LOCATION:	ORDRE DATO:	
MODIFY DATE: : /				REV:	LEV.DATO:	