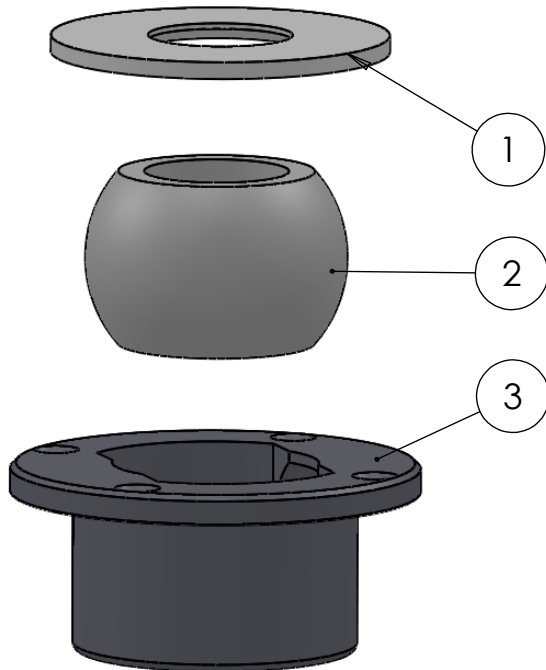


SECTION A-A
SCALE 1 : 1



ITEM NO.	PART NUMBER	PART NAME	QTY.
1	M07-103-B	Washer, delrin $\varnothing 38,5 \times \varnothing 90 \times 4,5\text{mm}$	1
2	M13-110-38	Ball with rollers for $\varnothing 38\text{mm}$	1
3	M51-085	House for 5T030-5T045	1

DWG NR / NAME: 5T038 / S-A top roller bearing				BATCH NR:		<i>Jefa Rudder</i> S Y S T E M S
PROJECT: Shaft $\varnothing 38\text{mm}$, max working load 1000-1400kg				REKV.NR / ORDRE NR:		
DATE: 02.08.2016	NAME: JR	SCALE / PAPER: 1:2 / A4	MATERIAL: g	LOCATION:	ORDRE DATO:	JEFA MARINE A/S NIMBUSVEJ 2 2670 GREVE. DENMARK Tlf: +45 4615 5210 & Fax: +45 46155208 Email: info@jefa.com www.jefa.com
MODIFY DATE: /				REV:	LEV.DATO:	