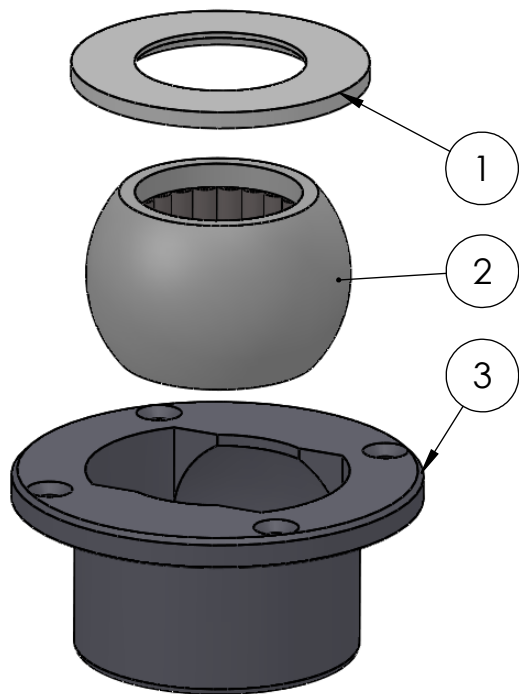
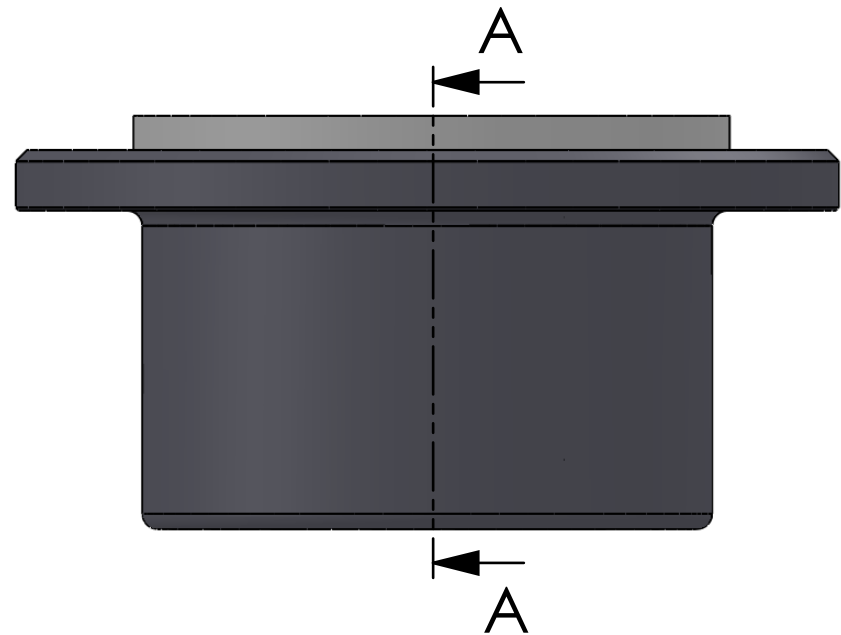


SECTION A-A
SCALE 1 : 1



ITEM NO.	PART NUMBER	PART NAME	QTY.
1	M07-110	Washer, delrin $\varnothing 45,5 \times \varnothing 79 \times 4,5\text{mm}$	1
2	M13-115-43	Ball with rollers for $\varnothing 43\text{mm}$	1
3	M51-085	House for 5T030-5T045	1

DWG NR / NAME:

5T043 / S-A top roller bearing

BATCH NR:

PROJECT:

Shaft $\varnothing 43\text{mm}$, max working load 1000-1400kg

REKV.NR / ORDRE NR:

DATE:
02.08.2016

NAME:
JR

SCALE / PAPER:
1:2 / A4

MATERIAL:
WEIGHT: g

LOCATION:

ORDRE DATO:

MODIFY DATE:

: /

REV:

LEV.DATO:

Jefa Rudder
SYSTEMS

JEFA MARINE A/S
NIMBUSVEJ 2
2670 GREVE. DENMARK
Tlf: +45 4615 5210 & Fax: +45 46155208
Email: info@jefa.com www.jefa.com