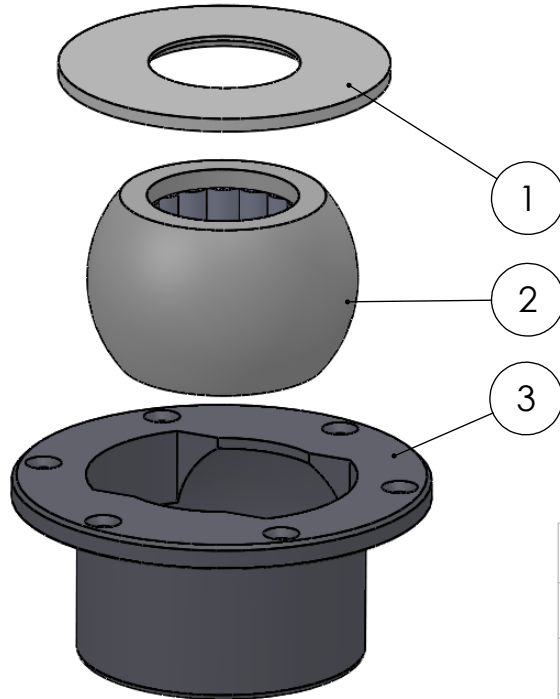
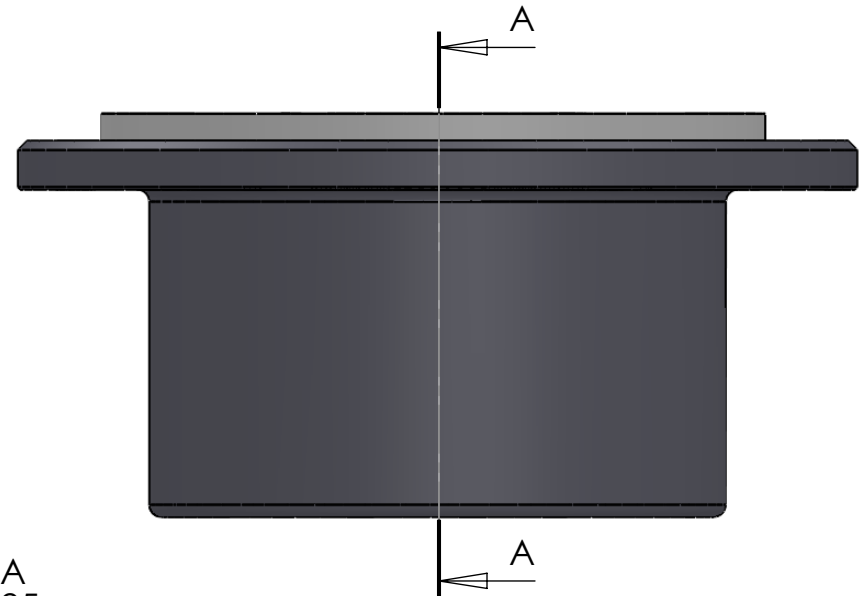


SECTION A-A
SCALE 1 : 1.25



| ITEM NO. | PART NUMBER | PART NAME | Default/ QTY. |
|----------|-------------|-------------------------------------|---------------|
| 1 | M07-118 | Washer, delrin ø50,5 x ø110 x 4,5mm | 1 |
| 2 | M13-160-49 | Bearing ball with rollers for Ø49mm | 1 |
| 3 | M51-101 | House for 5T045-5T060 | 1 |

DWG NR / NAME:

5T049 / S-A top roller bearing

BATCH NR:

PROJECT:

Shaft Ø49mm, max working load 1900-2500kg

REKV.NR / ORDRE NR:

DATE:

02.08.2016

NAME:

JR

SCALE / PAPER:

1:2,5 / A4

MATERIAL:

WEIGHT: g

LOCATION:

ORDRE DATO:

MODIFY DATE:

: /

REV:

LEV.DATO:

Jefa Rudder
S Y S T E M S

JEFA MARINE A/S
NIMBUSVEJ 2
2670 GREVE, DENMARK

Tlf: +45 4615 5210 & Fax: +45 46155208
Email: info@jefa.com www.jefa.com