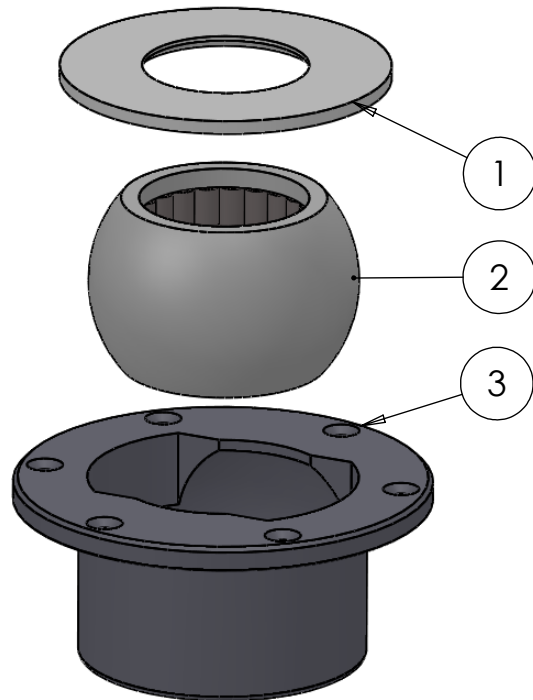



SECTION A-A
SCALE 1 : 1.25



ITEM NO.	PART NUMBER	PART NAME	Default/ QTY.
1	M07-123	Washer, delrin $\phi 55,5 \times \phi 110 \times 4,5\text{mm}$	1
2	M13-162-55	Ball with rollers for $\phi 55\text{mm}$	1
3	M51-101	House for 5T045-5T060	1

DWG NR / NAME: 5T055 / S-A top roller bearing				BATCH NR:		 Jefa Rudder SYSTEMS
PROJECT: Shaft $\phi 55\text{mm}$, max working load 1900-2500kg				REKV.NR / ORDRE NR:		
DATE: 05.08.2016	NAME: JR	SCALE / PAPER: 1:2,5 / A4	MATERIAL: g	LOCATION:	ORDRE DATO:	
MODIFY DATE: /				REV:	LEV.DATO:	JEFA MARINE A/S NIMBUSVEJ 2 2670 GREVE. DENMARK Tlf: +45 4615 5210 & Fax: +45 46155208 Email: info@jefa.com www.jefa.com