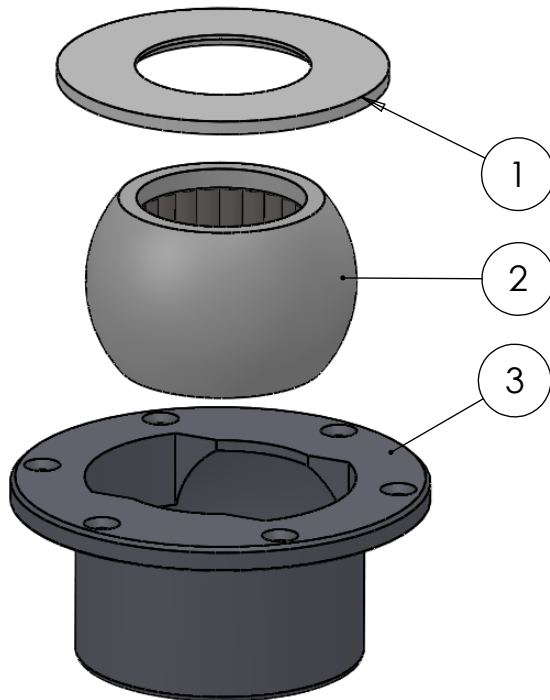


SECTION A-A  
SCALE 1 : 1.25



ITEM NO.	PART NUMBER	PART NAME	Default/ QTY.
1	M07-127-B	Washer, delrin ø58,5 x ø110 x 4,5mm	1
2	M13-162-56	Ball with rollers for Ø56mm	1
3	M51-101	House for 5T045-5T060	1

DWG NR / NAME: <b>5T056 / S-A top roller bearing</b>				BATCH NR:		<i>Jefa Rudder</i> S Y S T E M S
PROJECT: Shaft Ø56mm, max working load 1900-2500kg				REKV.NR / ORDRE NR:		
DATE: 08.08.2016	NAME: JR	SCALE / PAPER: 1:2,5 / A4	MATERIAL: WEIGHT: g	LOCATION:	ORDRE DATO:	JEFA MARINE A/S NIMBUSVEJ 2 2670 GREVE. DENMARK Tlf: +45 4615 5210 & Fax: +45 46155208 Email: info@jefa.com www.jefa.com
MODIFY DATE: : /				REV:	LEV.DATO:	