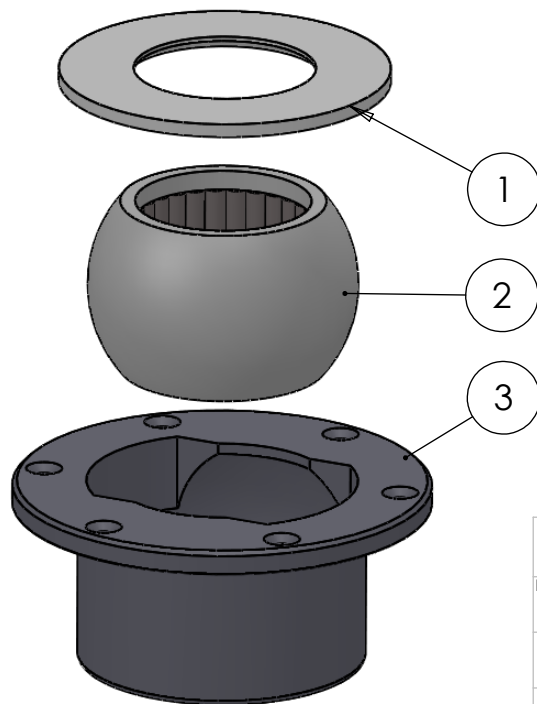


SECTION A-A
SCALE 1 : 1.25



ITEM NO.	PART NUMBER	PART NAME	Default/ QTY.
1	M07-132	Washer, delrin $\phi 60,5 \times \phi 110 \times 4,5\text{mm}$	1
2	M13-164-59	Ball with rollers for $\phi 59\text{mm}$	1
3	M51-101	House for 5T045-5T060	1

DWG NR / NAME:

5T059 / S-A top roller bearing

BATCH NR:

PROJECT:

Shaft $\phi 59\text{mm}$, max working load 1900-2500kg

REKV.NR / ORDRE NR:

DATE:

09.08.2016

NAME:

JR

SCALE / PAPER:

1:2,5 / A4

MATERIAL:

WEIGHT: g

LOCATION:

REV:

ORDRE DATO:

LEV.DATO:

MODIFY DATE:

: /

Jefa Rudder
SYSTEMS

JEFA MARINE A/S
NIMBUSVEJ 2
2670 GREVE, DENMARK
Tlf: +45 4615 5210 & Fax: +45 46155208
Email: info@jefa.com www.jefa.com