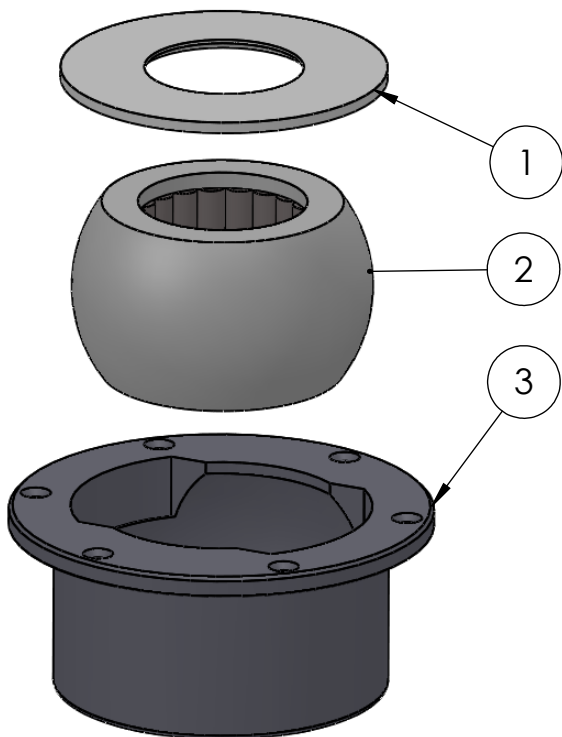



SECTION A-A  
SCALE 1 : 1.5



ITEM NO.	PART NUMBER	PART NAME	QTY.
1	M07-135	Washer, delrin $\varnothing 63,5 \times \varnothing 130 \times 4,5\text{mm}$	1
2	M13-214-63	Ball with Rollers for $\varnothing 63\text{mm}$	1
3	M51-120	House for 5T061-5T082	1

DWG NR / NAME: <b>5T063 / S-A top roller bearing</b>				BATCH NR:		 <b>Jefa Rudder</b> SYSTEMS JEFA MARINE A/S NIMBUSVEJ 2 2670 GREVE, DENMARK Tlf: +45 4615 5210 & Fax: +45 46155208 Email: info@jefa.com www.jefa.com
PROJECT: Shaft $\varnothing 63\text{mm}$ , max working load 3400-4600kg				REKV.NR / ORDRE NR:		
DATE: 09.08.2016	NAME: JR	SCALE / PAPER: 1:3 / A4	MATERIAL: g	LOCATION:	ORDRE DATO:	
MODIFY DATE: /				REV:	LEV.DATO:	