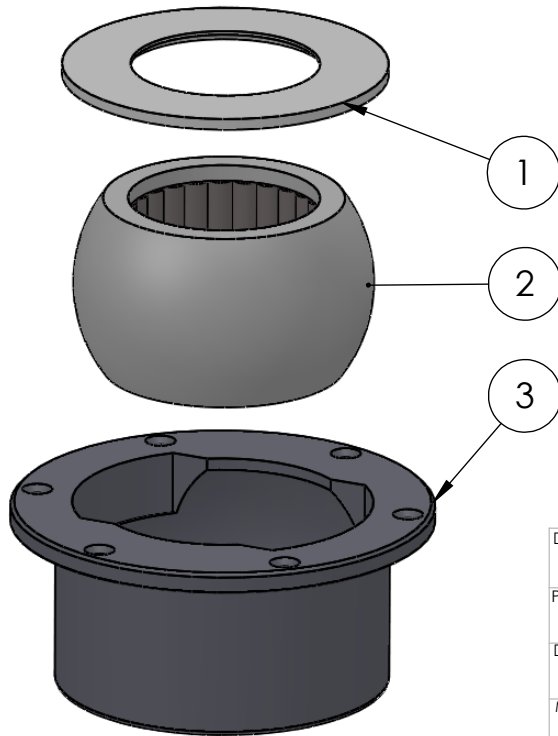
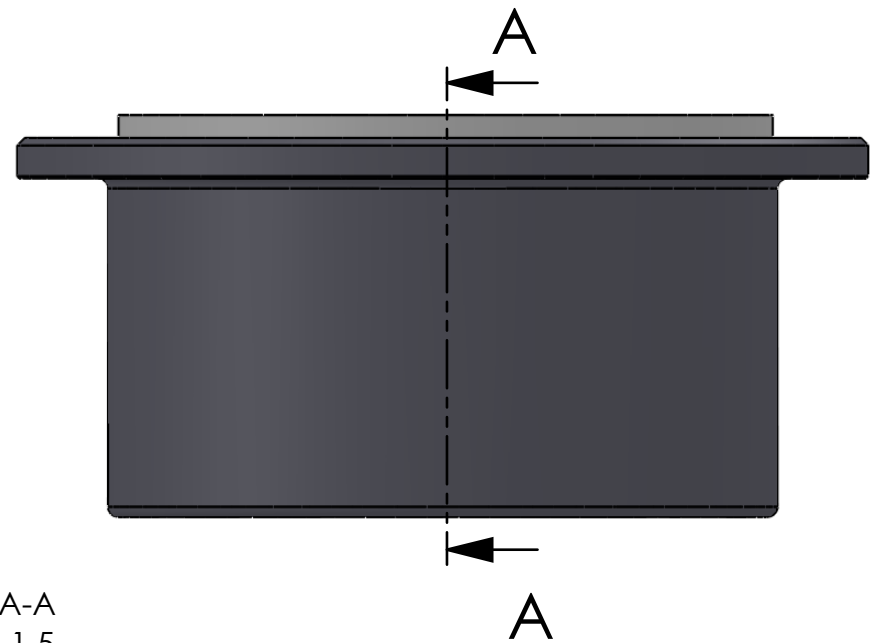


SECTION A-A
SCALE 1 : 1.5



| ITEM NO. | PART NUMBER | PART NAME | QTY. |
|----------|-------------|--|------|
| 1 | M07-154-B | Washer, delrin $\varnothing 75,5 \times \varnothing 130 \times 4,5\text{mm}$ | 1 |
| 2 | M13-219-74 | Ball with Rollers for $\varnothing 74\text{mm}$ | 1 |
| 3 | M51-120 | House for 5T061-5T082 | 1 |

DWG NR / NAME:

5T074 / S-A top roller bearing

BATCH NR:

PROJECT:

Shaft $\varnothing 74\text{mm}$, max working load 3400-4600kg

REKV.NR / ORDRE NR:

DATE:

30.08.2016

NAME:

JR

SCALE / PAPER:

1:3 / A4

MATERIAL:

WEIGHT: g

LOCATION:

REV:

ORDRE DATO:

LEV.DATO:

MODIFY DATE:

: /

Jefa Rudder
SYSTEMS

JEFA MARINE A/S
NIMBUSVEJ 2
2670 GREVE, DENMARK

Tlf: +45 4615 5210 & Fax: +45 46155208
Email: info@jefa.com www.jefa.com