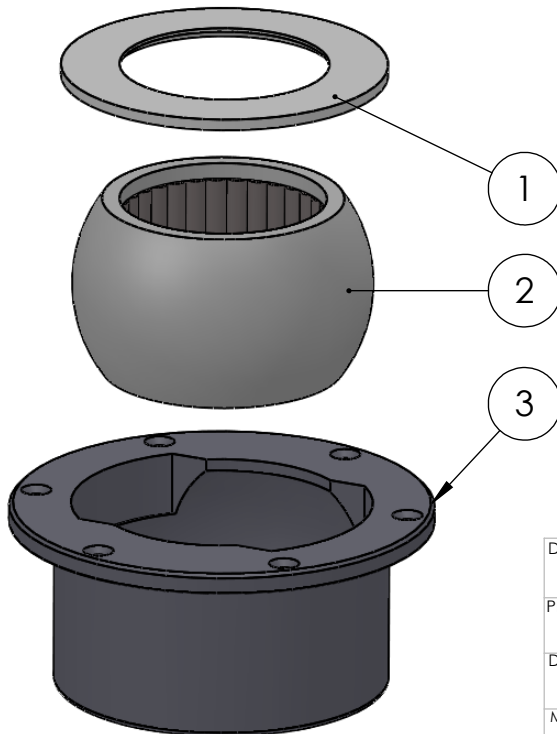


SECTION A-A  
SCALE 1 : 1.5



ITEM NO.	PART NUMBER	PART NAME	QTY.
1	M07-163-A	Washer, delrin $\varnothing 83,5 \times \varnothing 130 \times 4,5\text{mm}$	1
2	M13-230-81	Ball with rollers for $\varnothing 81\text{mm}$	1
3	M51-120	House for 5T061-5T082	1

DWG NR / NAME:

**5T081 / S-A top roller bearing**

BATCH NR:

PROJECT:

Shaft  $\varnothing 81\text{mm}$ , max working load 3400-4600kg

REKV.NR / ORDRE NR:

DATE:

30.08.2016

NAME:

JR

SCALE / PAPER:

1:3 / A4

MATERIAL:

WEIGHT: g

LOCATION:

REV:

ORDRE DATO:

LEV.DATO:

MODIFY DATE:

: /

*Jefa Rudder*  
SYSTEMS

JEFA MARINE A/S  
NIMBUSVEJ 2  
2670 GREVE. DENMARK  
Tlf: +45 4615 5210 & Fax: +45 46155208  
Email: info@jefa.com www.jefa.com