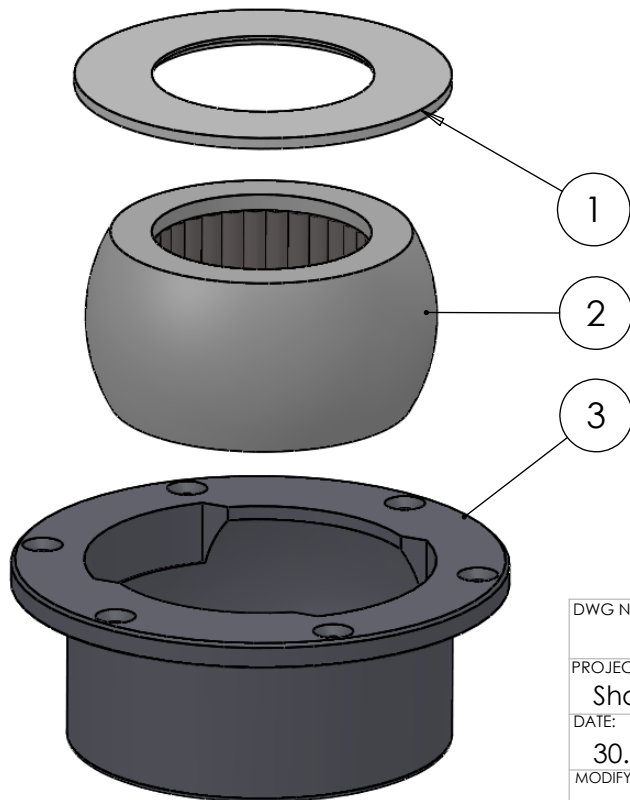


SECTION A-A  
SCALE 1 : 1.75



ITEM NO.	PART NUMBER	PART NAME	Default/ QTY.
1	M07-169-B	Washer, delrin $\varnothing 88,5 \times \varnothing 150 \times 4,5\text{mm}$	1
2	M13-277-87	Ball with rollers for $\varnothing 87\text{mm}$	1
3	M51-130	House for 5T083-5T104	1

DWG NR / NAME:

### 5T087 / S-A top roller bearing

BATCH NR:

PROJECT:

Shaft  $\varnothing 87\text{mm}$ , max working load 5200-6400kg

REKV.NR / ORDRE NR:

DATE:

30.08.2016

NAME:

JR

SCALE / PAPER:

1:3 / A4

MATERIAL:

WEIGHT: g

LOCATION:

ORDRE DATO:

MODIFY DATE:

: /

REV:

LEV.DATO:

*Jefa Rudder*  
SYSTEMS

JEFA MARINE A/S  
NIMBUSVEJ 2  
2670 GREVE. DENMARK

Tlf: +45 4615 5210 & Fax: +45 46155208  
Email: info@jefa.com www.jefa.com