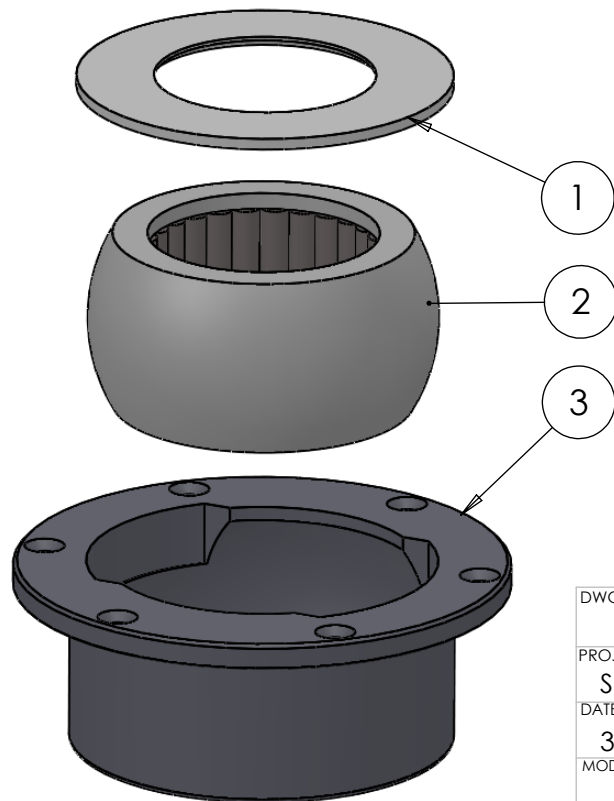



SECTION A-A
SCALE 1 : 1.75



ITEM NO.	PART NUMBER	PART NAME	Default/ QTY.
1	M07-169-B	Washer, delrin $\varnothing 88,5 \times \varnothing 150 \times 4,5\text{mm}$	1
2	M13-280-88	Ball with rollers for $\varnothing 88\text{mm}$	1
3	M51-130	House for 5T083-5T104	1

DWG NR / NAME: 5T088 / S-A top roller bearing				BATCH NR:		 Jefa Rudder SYSTEMS JEFA MARINE A/S NIMBUSVEJ 2 2670 GREVE. DENMARK Tlf: +45 4615 5210 & Fax: +45 46155208 Email: info@jefa.com www.jefa.com
PROJECT: Shaft $\varnothing 88\text{mm}$, max working load 5200-6400kg				REKV.NR / ORDRE NR:		
DATE: 30.08.2016	NAME: JR	SCALE / PAPER: 1:3/ A4	MATERIAL: g	LOCATION:	ORDRE DATO:	
MODIFY DATE: /				REV:	LEV.DATO:	