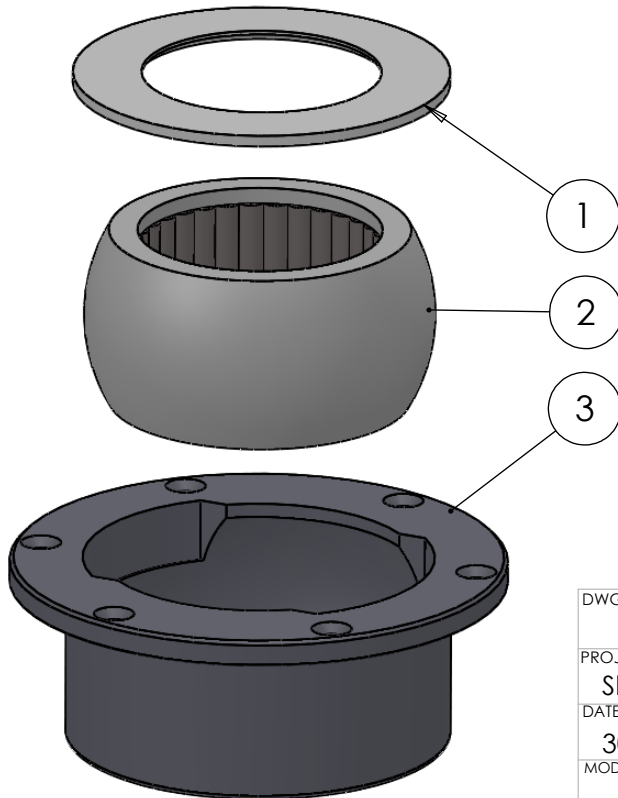


SECTION A-A
SCALE 1 : 1.75



ITEM NO.	PART NUMBER	PART NAME	Default/ QTY.
1	M07-180	Washer, delrin ø95,5 x ø150 x 4,5mm	1
2	M13-283-95	Ball with rollers for Ø95mm	1
3	M51-130	House for 5T083-5T104	1

DWG NR / NAME:

5T095 / S-A top roller bearing

BATCH NR:

PROJECT:

Shaft Ø95mm, max working load 5200-6400kg

REKV.NR / ORDRE NR:

DATE:

30.08.2016

NAME:

JR

SCALE / PAPER:

1:3/ A4

MATERIAL:

WEIGHT: g

LOCATION:

REV:

ORDRE DATO:

LEV.DATO:

MODIFY DATE:

: /

Jefa Rudder
SYSTEMS

JEFA MARINE A/S
NIMBUSVEJ 2
2670 GREVE. DENMARK

Tlf: +45 4615 5210 & Fax: +45 46155208
Email: info@jefa.com www.jefa.com