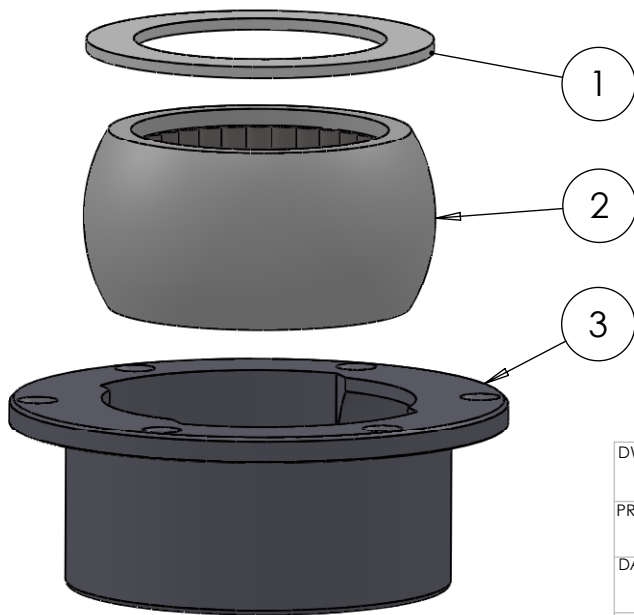
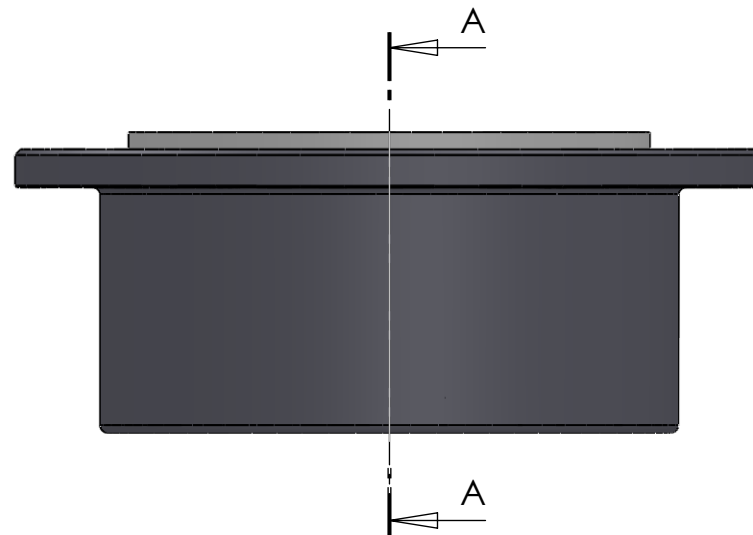



SECTION A-A
SCALE 1 : 2



ITEM NO.	PART NUMBER	PART NAME	Default/ QTY.
1	M07-185	Washer ø100.5 ø138	1
2	M13-286-100	Ball with Rollers for 5T100	1
3	M51-130	House for 5T083-5T104	1

DWG NR / NAME: 5T100 / S-A top Roller bearing ø100mm				BATCH NR:		 Jefa Rudder SYSTEMS JEFA MARINE A/S NIMBUSVEJ 2 2670 GREVE. DENMARK Tlf: +45 4615 5210 & Fax: +45 46155208 Email: info@jefa.com www.jefa.com
PROJECT: Shaft ø100mm, max working load 5200 kg				REKV.NR / ORDRE NR:		
DATE: 07-01-2011	NAME: JR	SCALE / PAPER: 1:3/ A4	MATERIAL: WEIGHT: g	LOCATION:	ORDRE DATO:	
MODIFY DATE: : /				REV:	LEV.DATO:	