

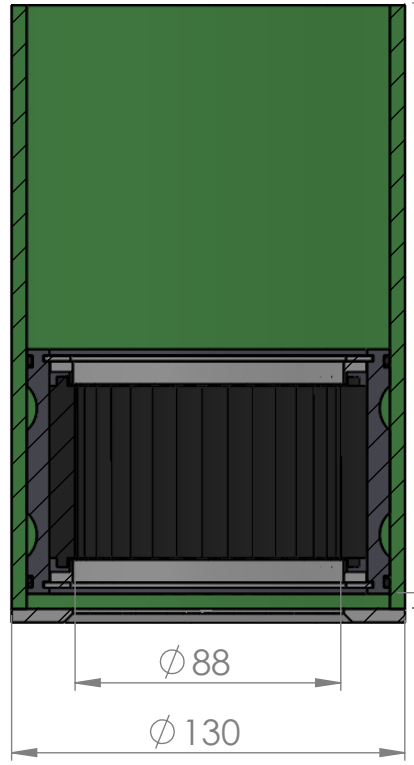
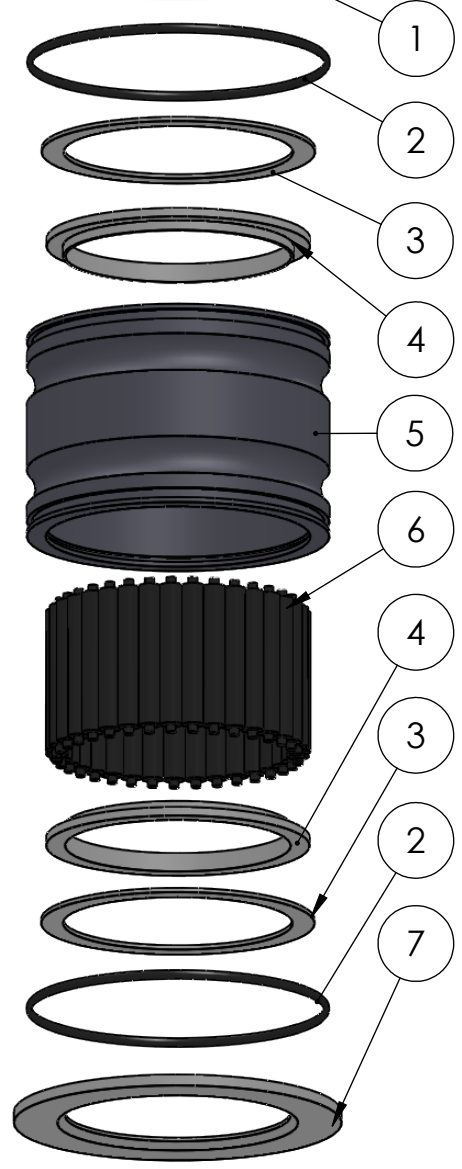
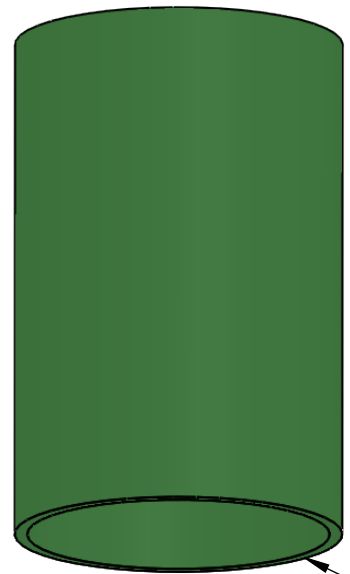
A

B

C

D

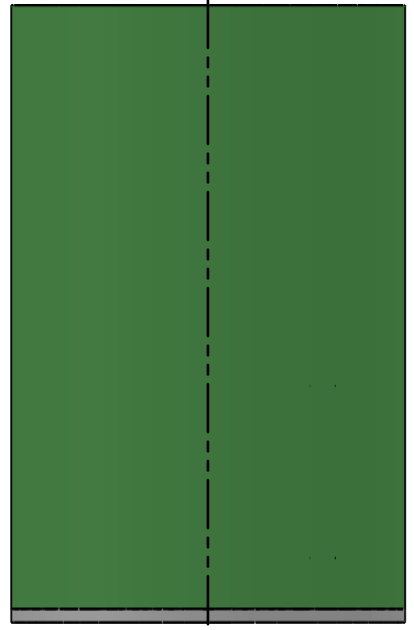
E



Variable offset
Variable length

Ø 88
Ø 130

SECTION A-A
SCALE 1 : 2.5



A
A

ITEM NO.	PART NUMBER	PART NAME	QTY.
1	GRP-TUBE-Ø130	GRP tube Ø130 x Ø120	1
2	O-ring	ø110 x 2.5	2
3	M03-220	Delrin Lockring ø108,5 x ø91 x 1,75mm	2
4	M05-200	L-ring, delrin ø89 x ø105 x 7,5mm	2
5	M49-260	House for 6S080-6S089	1
6	M01-308	Roller ø8.5 x 57mm	35
7	M07-170-B	Washer, delrin ø89,5 x ø130 x 4,5mm	1

DWG NR / NAME:

61088130 / GRP bottom roller bearing

BATCH NR:

PROJECT:
Shaft Ø88mm, max working load 4200-4800kg

REKV.NR / ORDRE NR:

DATE:
01.03.2016

NAME:
JR

SCALE / PAPER:
1:2,5 / A4

MATERIAL:
WEIGHT: g

LOCATION:

ORDRE DATO:

MODIFY DATE:
: /

REV:

LEV.DATO:



JEFA MARINE A/S
NIMBUSVEJ 2
2670 GREVE, DENMARK

Tlf: +45 4615 5210 & Fax: +45 46155208
Email: info@jefa.com www.jefa.com