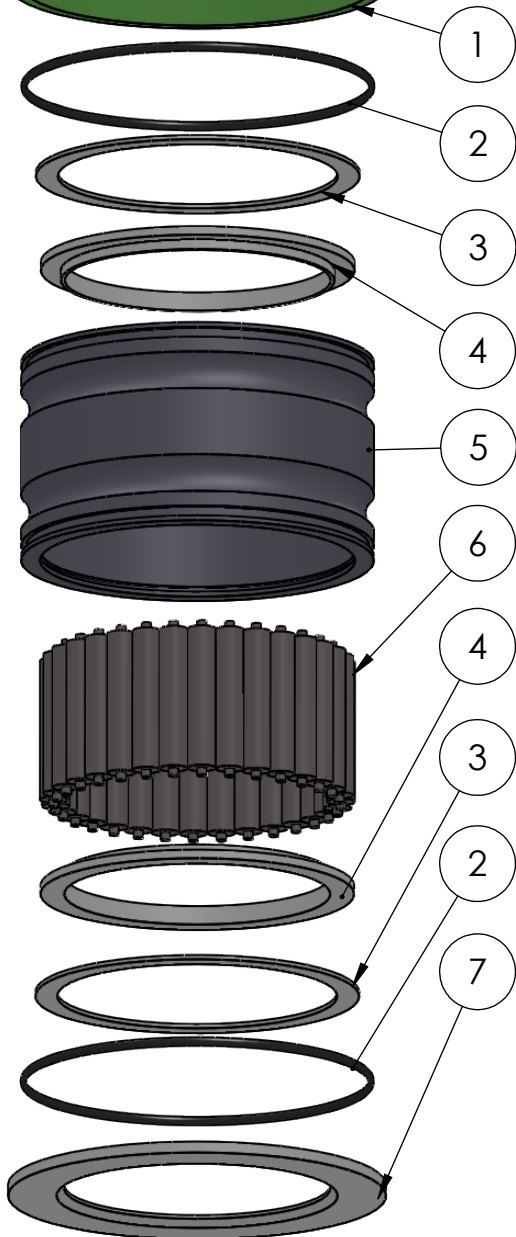
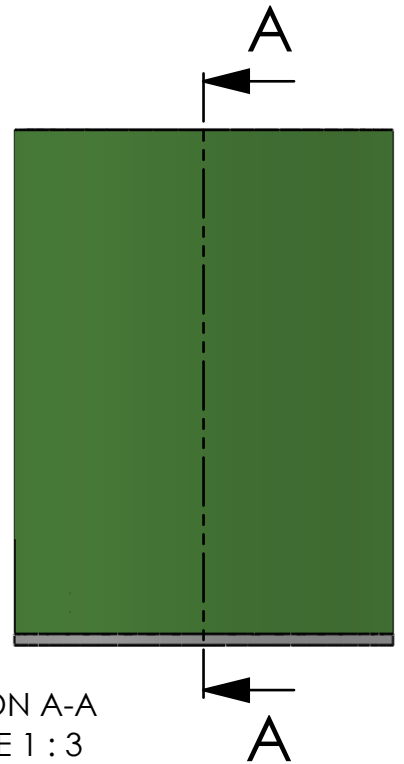


SECTION A-A
SCALE 1 : 3



ITEM NO.	PART NUMBER	PART NAME	QTY.
1	GRP-TUBE-Ø150	GRP tube Ø150 x Ø140	1
2	O-ring	ø130 x 2.5	2
3	M03-235	Delrin Lockring ø128,5 x ø111 x 1,75mm	2
4	M05-257	L-ring ø105 ø108.5 ø125	2
5	M49-290	House for 6S100-6S109	1
6	M01-348	Roller ø11.0 x 57mm	32
7	M07-191-B	Washer, delrin ø105,5 x ø150 x 4,5mm	1

DWG NR / NAME:

61103150 / GRP bottom roller bearing

BATCH NR:

PROJECT:

Shaft Ø103mm, max working load 4900-6200kg

REKV.NR / ORDRE NR:

DATE:

03.03.2016

NAME:

JR

SCALE / PAPER:

1:3 / A4

MATERIAL:

WEIGHT:

g

LOCATION:

REV:

ORDRE DATO:

LEV.DATO:

MODIFY DATE:

: /

Jefa Rudder
SYSTEMS

JEFA MARINE A/S
NIMBUSVEJ 2
2670 GREVE, DENMARK

Tlf: +45 4615 5210 & Fax: +45 4615 5208
Email: info@jefa.com www.jefa.com