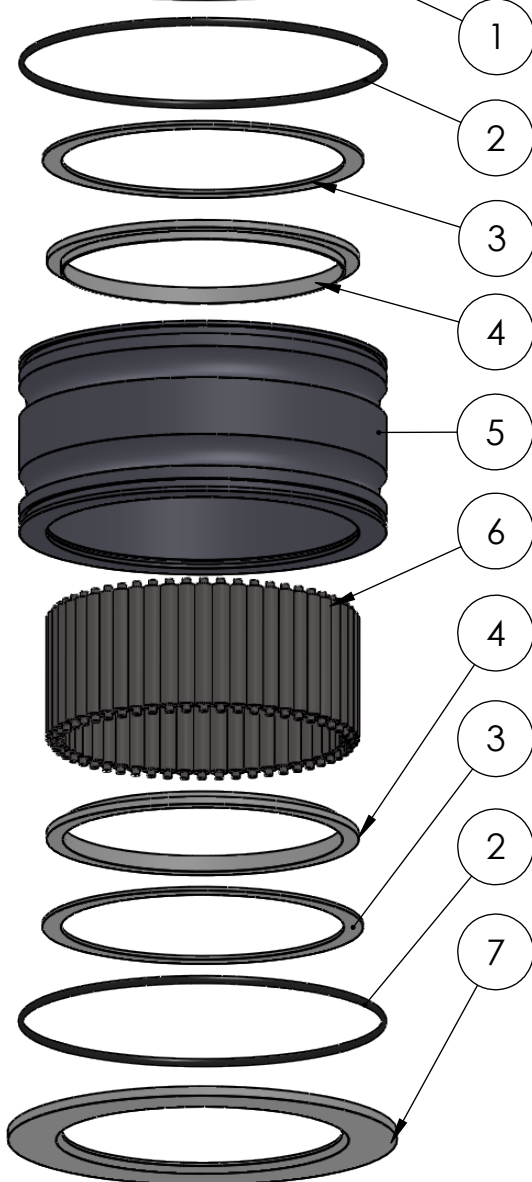


SECTION A-A  
SCALE 1 : 3.5



ITEM NO.	PART NUMBER	PART NAME	QTY.
1	GRP-TUBE-Ø180	GRP tube Ø180 x Ø170	1
2	O-ring	ø160 x 2.5	2
3	M03-285	Delrin Lockring ø148,5 x ø131 x 1,75mm	2
4	M05-311	L-ring ø128 ø130.5 ø145	2
5	M49-305	House for 6S120-6S129	1
6	M01-301	Roller ø8.0 x 57mm	54
7	M07-219	Washer, delrin ø129,5 x ø180 x 4,5mm	1

DWG NR / NAME:

**61129180 / GRP bottom roller bearing**

BATCH NR:

PROJECT:

Shaft Ø129mm, max working load 6300-8400kg

REKV.NR / ORDRE NR:

DATE:

09.03.2016

NAME:

JR

SCALE / PAPER:

1:3,5 / A4

MATERIAL:

WEIGHT:

g

LOCATION:

REV:

ORDRE DATO:

LEV.DATO:

MODIFY DATE:

: /

*Jefa Rudder*  
SYSTEMS

JEFA MARINE A/S  
NIMBUSVEJ 2  
2670 GREVE. DENMARK

Tlf: +45 4615 5210 & Fax: +45 46155208  
Email: info@jefa.com www.jefa.com