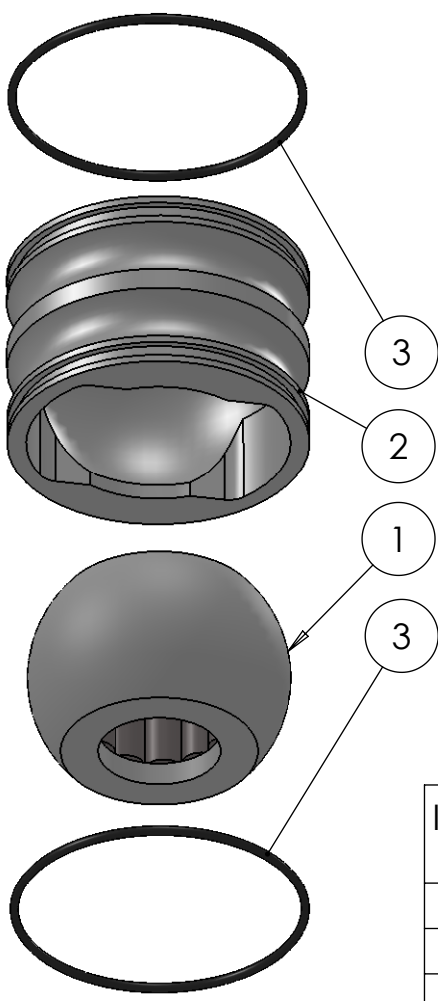


SECTION A-A
SCALE 1 : 1



ITEM NO.	PART NUMBER	PART NAME	Default/ QTY.
1	M13-104-30	Ball with Rollers	1
2	M48-090	House ø80mm for ø70mm ball	1
3	O-ring	ø75 x 2,5	2

DWG NR / NAME: 6BB080030 / S-A bottom Roller bearing

PROJECT: Shaft ø30mm

DATE: 31.01.2012	NAME: JR	SCALE / PAPER: 1:2 / A4	MATERIAL: g	LOCATION:
MODIFY DATE: /			WEIGHT:	REV:

BATCH NR:	REKV.NR / ORDRE NR:
ORDRE DATO:	LEV.DATO:

Jefa Rudder
SYSTEMS

JEFA MARINE A/S
NIMBUSVEJ 2
2670 GREVE, DENMARK

Tlf: +45 4615 5210 & Fax: +45 46155208
Email: info@jefa.com www.jefa.com