

A

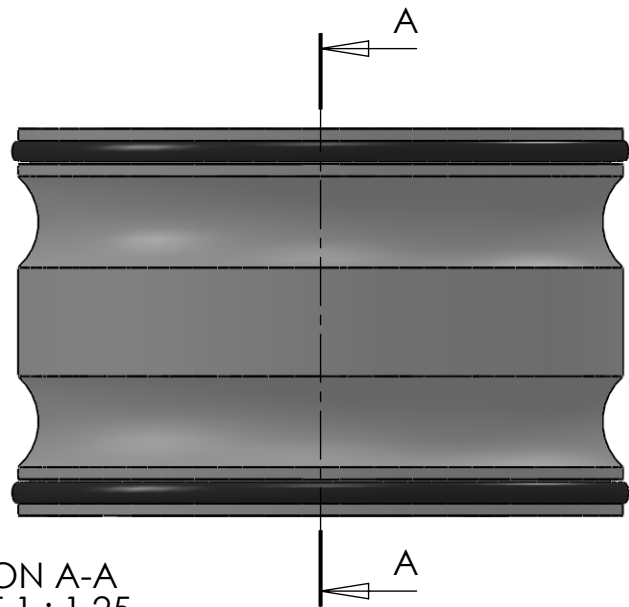
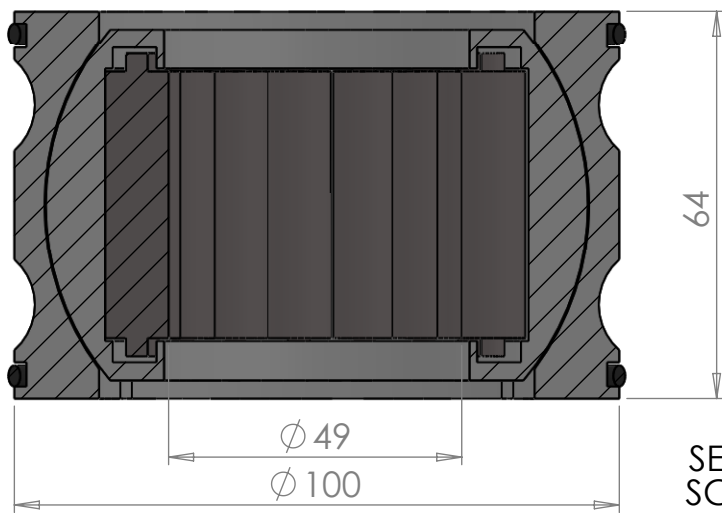
B

C

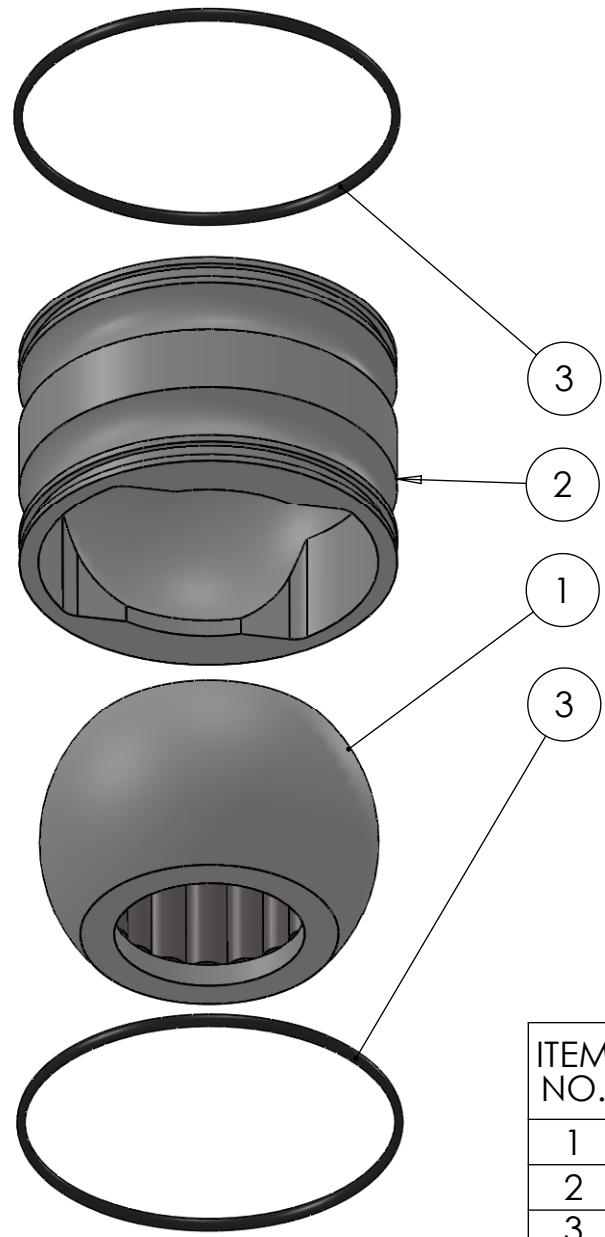
D

E

F



SECTION A-A  
SCALE 1 : 1.25



ITEM NO.	PART NUMBER	PART NAME	Default/ QTY.
1	M13-160-49	Ball with rollers	1
2	M48-100	House ø100mm for ø90mm ball	1
3	O-ring	ø98 x 3,5	2

DWG NR / NAME: 6BB100049 / S-A bottom Roller bearing

PROJECT: Shaft ø49mm

DATE: 31.01.2012  
MODIFY DATE: /

NAME: JR

SCALE / PAPER: 1:2 / A4

MATERIAL: g  
WEIGHT:

LOCATION:  
REV:

BATCH NR:

REKV.NR / ORDRE NR:

ORDRE DATO:

LEV.DATO:

*Jefa Rudder*  
SYSTEMS

JEFA MARINE A/S  
NIMBUSVEJ 2  
2670 GREVE, DENMARK

Tlf: +45 4615 5210 & Fax: +45 4615208  
Email: info@jefa.com www.jefa.com