

A

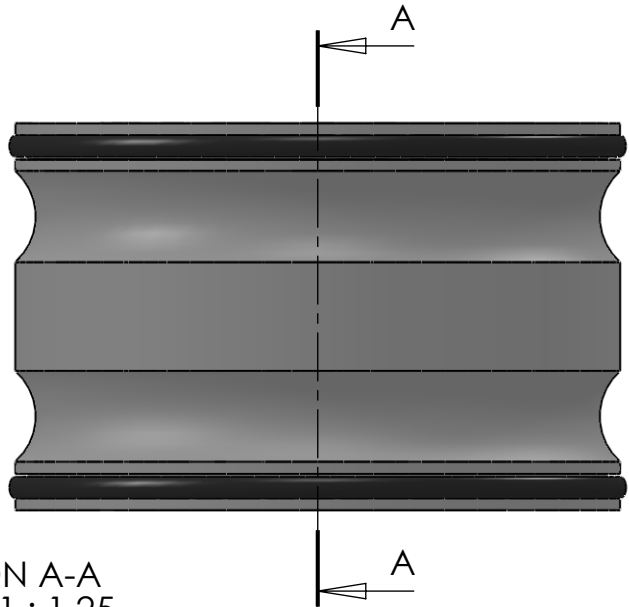
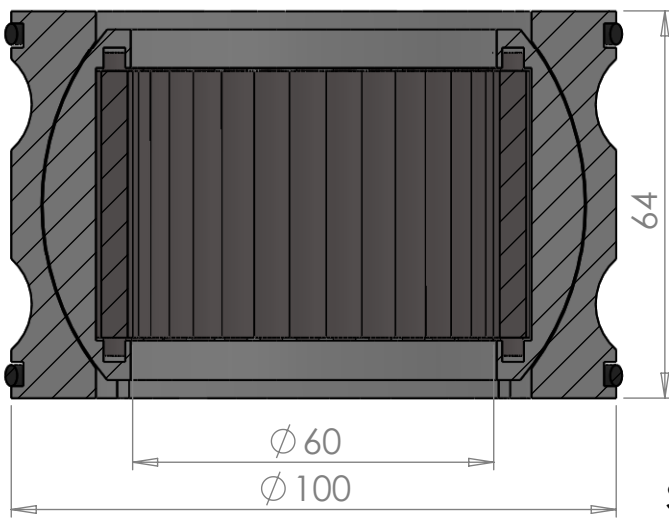
B

C

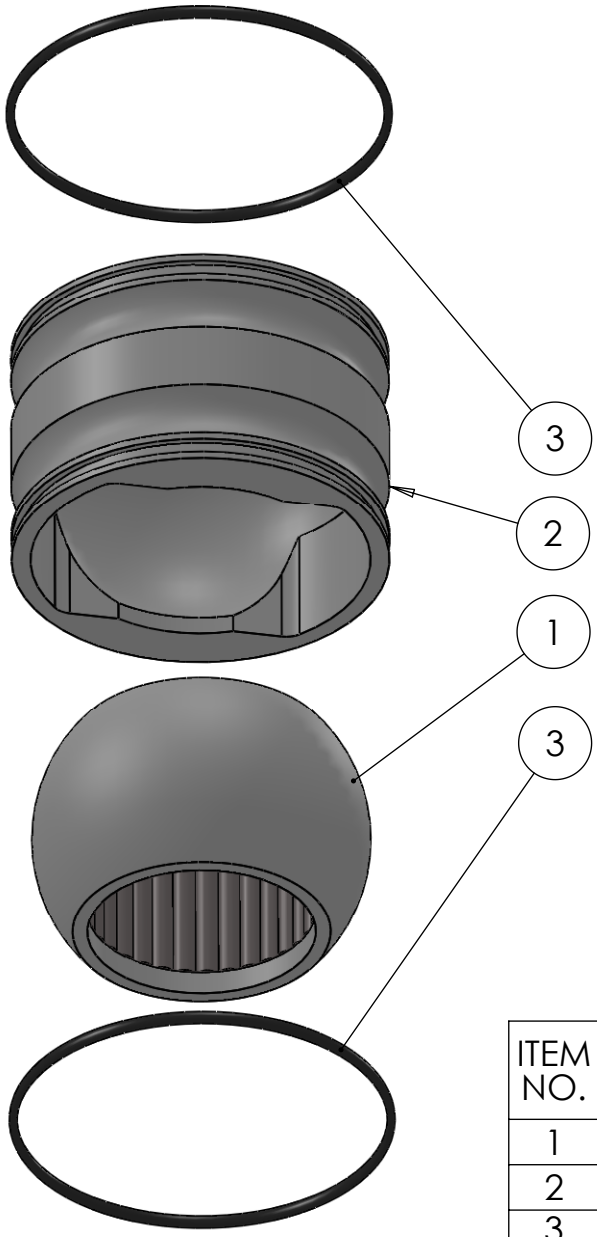
D

E

F



SECTION A-A  
SCALE 1 : 1.25



ITEM NO.	PART NUMBER	PART NAME	Default/ QTY.
1	M13-165-60	Ball with rollers	1
2	M48-100	House ø100mm for ø90mm ball	1
3	O-ring	ø98 x 3,5	2

DWG NR / NAME: 6BB100060 / S-A bottom Roller bearing

PROJECT: Shaft ø60mm

DATE: 31.01.2012 NAME: JR SCALE / PAPER: 1:2 / A4 MATERIAL: WEIGHT: g LOCATION:

MODIFY DATE: : /

BATCH NR:  
REKV.NR / ORDRE NR:  
ORDRE DATO:  
LEV.DATO:

*Jefa Rudder*  
SYSTEMS  
JEFA MARINE A/S  
NIMBUSVEJ 2  
2670 GREVE, DENMARK  
Tlf: +45 4615 5210 & Fax: +45 46155208  
Email: info@jefa.com www.jefa.com