

A

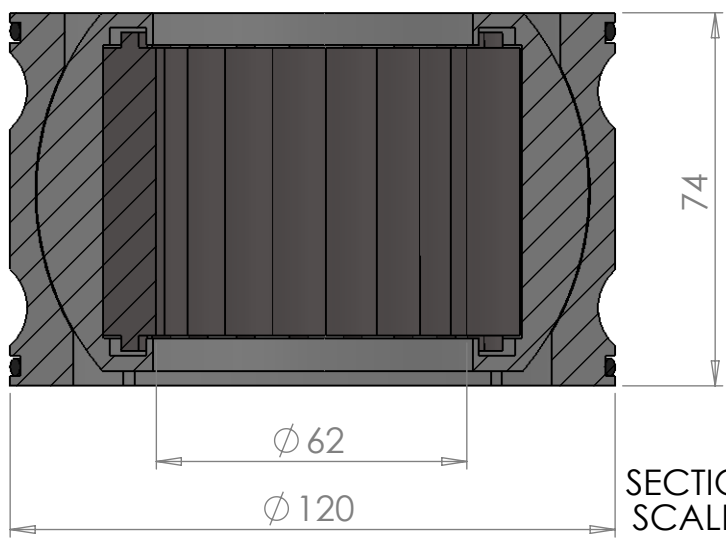
B

C

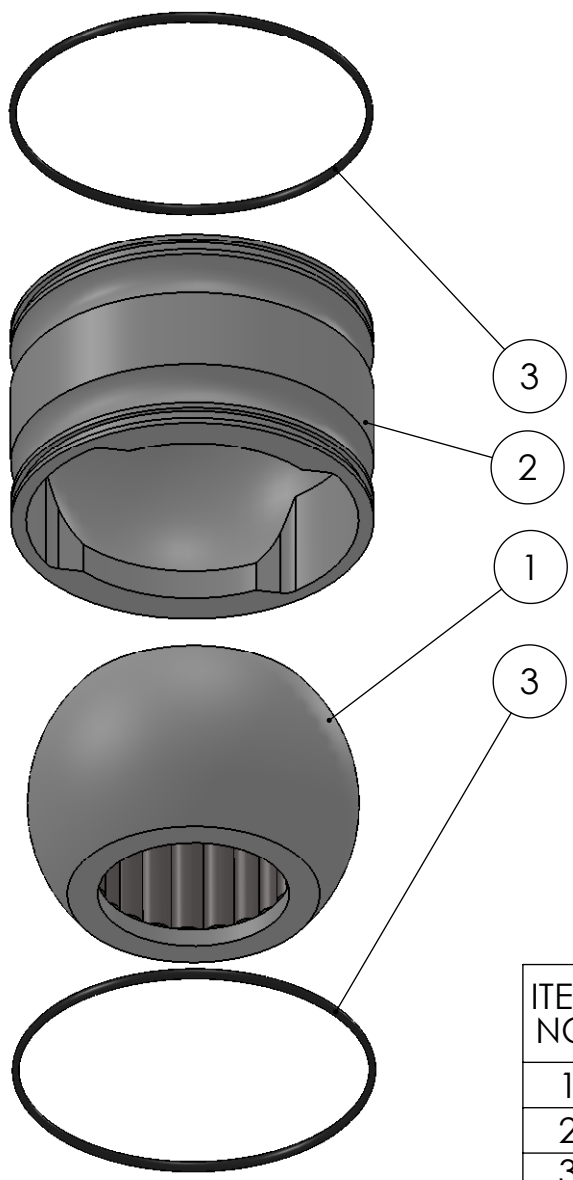
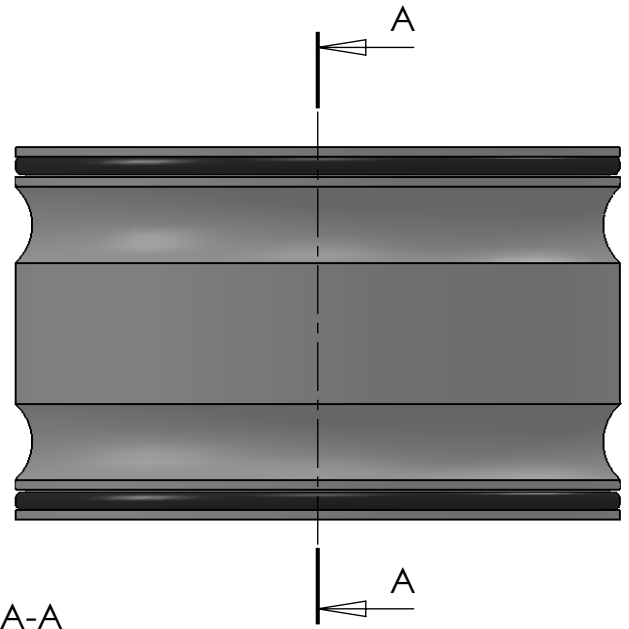
D

E

F



SECTION A-A
SCALE 1 : 1.5



ITEM NO.	PART NUMBER	PART NAME	Default/ QTY.
1	M13-205-62	Ball with rollers	1
2	M48-140	House $\phi 120$ mm for $\phi 110$ mm ball	1
3	O-ring	$\phi 116 \times 3,5$	2

DWG NR / NAME: 6BB120062 / S-A bottom Roller bearing

PROJECT: Shaft $\phi 62$ mm

DATE: 31.01.2012
MODIFY DATE: /

NAME: JR

SCALE / PAPER: 1:2.5 / A4

MATERIAL: g
WEIGHT:

LOCATION:
REV:

BATCH NR:
REKV.NR / ORDRE NR:
ORDRE DATO:
LEV.DATO:

Jefa Rudder
SYSTEMS
JEFA MARINE A/S
NIMBUSVEJ 2
2670 GREVE, DENMARK
Tlf: +45 4615 5210 & Fax: +45 4615208
Email: info@jefa.com www.jefa.com