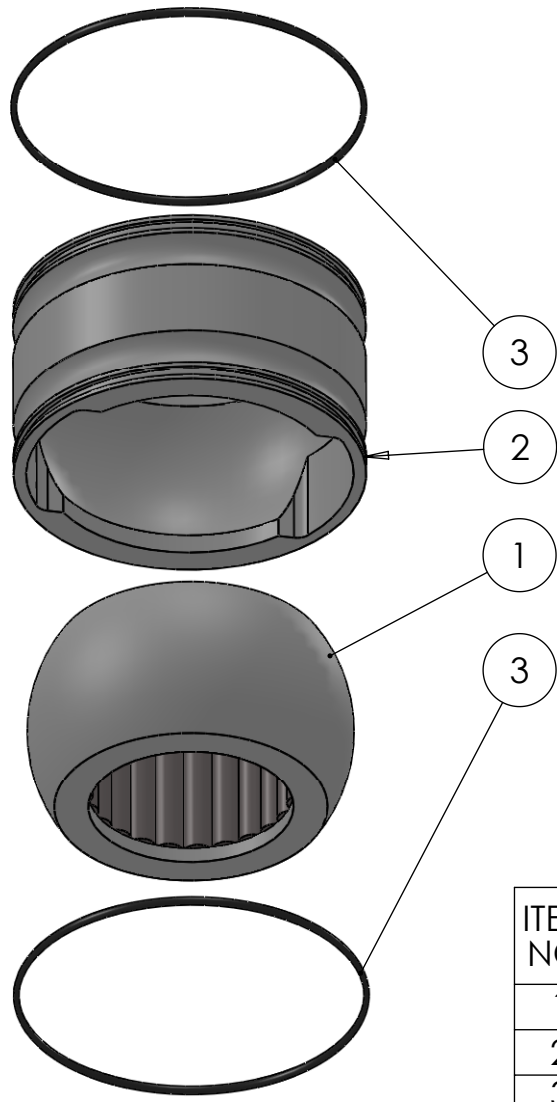
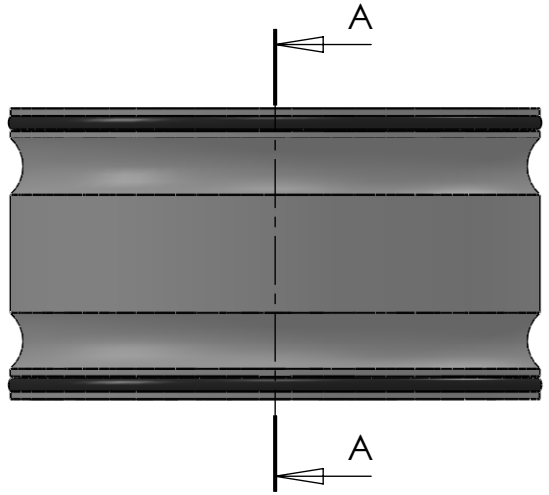


SECTION A-A
SCALE 1 : 2



ITEM NO.	PART NUMBER	PART NAME	Default/ QTY.
1	M13-244-78	Ball with rollers	1
2	M48-150	House $\varnothing 140\text{mm}$ for $\varnothing 130\text{mm}$ ball	1
3	O-ring	$\varnothing 140,5 \times 2.5$	2

DWG NR / NAME: 6BB140078 / S-A bottom Roller bearing

PROJECT: Shaft $\varnothing 78\text{mm}$

DATE: 31.01.2012
MODIFY DATE: : /

NAME: JR

SCALE / PAPER: 1:3 / A4

MATERIAL: WEIGHT: g

LOCATION:

REV:

BATCH NR:

REKV.NR / ORDRE NR:

ORDRE DATO:

LEV.DATO:

Jefa Rudder
SYSTEMS

JEFA MARINE A/S
NIMBUSVEJ 2
2670 GREVE, DENMARK

Tlf: +45 4615 5210 & Fax: +45 4615208
Email: info@jefa.com www.jefa.com