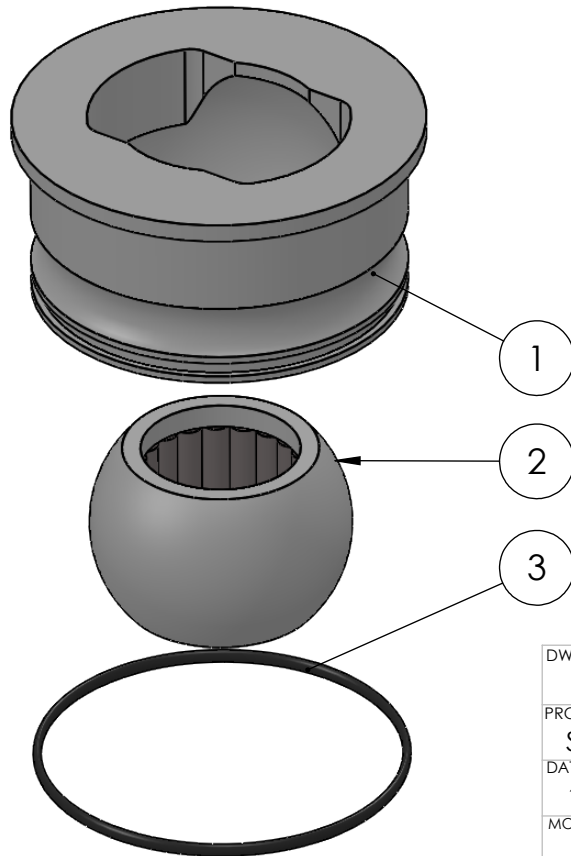


SECTION A-A
SCALE 1 : 1.2



ITEM NO.	PART NUMBER	PART NAME	QTY.
1	M48-103	House $\phi 100$ mm for $\phi 70$ mm Ball	1
2	M13-112-41	Ball with rollers for $\phi 41$ mm	1
3	O-ring	$\phi 90 \times 2,5$ mm	1

DWG NR / NAME: 6BF100041 / S-A Top Roller bearing				BATCH NR:		<i>Jefa Rudder</i> S Y S T E M S
PROJECT: Shaft $\phi 41$ mm				REKV.NR / ORDRE NR:		
DATE: 16.02.2012	NAME: JR	SCALE / PAPER: 1:2 / A4	MATERIAL:	LOCATION:	ORDRE DATO:	JEFA MARINE A/S NIMBUSVEJ 2 2670 GREVE. DENMARK Tlf: +45 4615 5210 & Fax: +45 46155208 Email: info@jefa.com www.jefa.com
MODIFY DATE: / /			WEIGHT: g	REV:	LEV.DATO:	