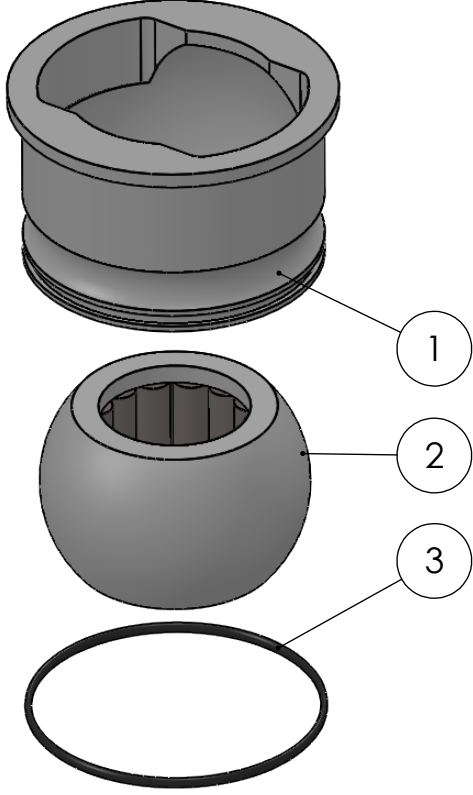



SECTION A-A  
SCALE 1 : 1.2



ITEM NO.	PART NUMBER	PART NAME	QTY.
1	M48-105	House ø100mm for ø90mm Ball	1
2	M13-160-46	Ball with rollers for Ø46mm	1
3	O-ring	ø90 x 2,5mm	1

DWG NR / NAME: <b>6BF100046 / S-A Top Roller bearing</b>				BATCH NR:	
PROJECT: Shaft Ø46mm				REKV.NR / ORDRE NR:	
DATE: 12.09.2016	NAME: JR	SCALE / PAPER: 1:2 / A4	MATERIAL: PETP	LOCATION:	ORDRE DATO:
MODIFY DATE: : /			WEIGHT: g	REV:	LEV.DATO:



**Jefa Rudder**  
SYSTEMS

JEFA MARINE A/S  
NIMBUSVEJ 2  
2670 GREVE, DENMARK  
Tlf: +45 4615 5210 & Fax: +45 46155208  
Email: info@jefa.com www.jefa.com